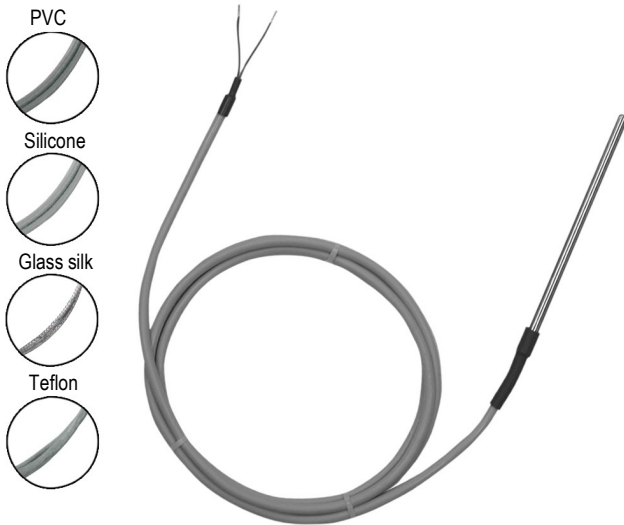


Technical Data Sheet

Pressure • Temperature • Humidity • Air Velocity • Airflow • Sound level



Temperature probe with cable

SF 50 / SFD 50 / PS5CS

Transmitter features

Working temperature.....from -50°C to +400°C (PT100 and PT1000)
(According to cable) from -20°C to +120°C (NTC)
Accuracy *.....**PT100 or PT1000** : see "Tolerances" table
NTC : see "Tolerances" table
Type of sensor.....**PT100 or PT1000** : class B, class A
 and 1/10 DIN as per DIN IEC751
NTC : resistance at 25°C, $R_{25} = 10K\Omega$ Nominal
 Beta value B25/85 = 3.695K ±1%
Storage temperature.....from -20°C to +80°C
Working temperature of the cable
PVC : from -40°C to +120°C
Silicone : from -50°C to +180°C
Teflon (PFA) : from -50°C to +260°C
Glass silk with stainless steel sheet : from -50°C to +400°C
Probe.....316 L stainless steel, watertight crimping with
 heat shrink tubing. (Except glass silk cable
 with standard mounting on stainless steel duct)

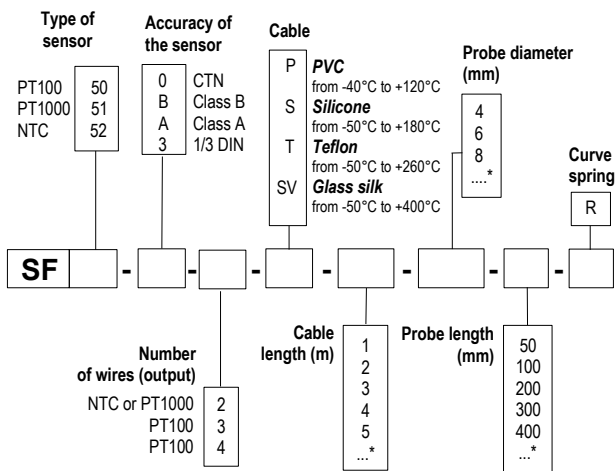
*all accuracies indicated in this technical datasheet were stated in laboratory conditions, and can be guaranteed for measurements carried out in the same conditions, or carried out with calibration compensation.

Probe features

- Stainless steel temperature probes with conductive cable.
- Measuring range (according to cable)
 from -50°C to +400°C (PT100 and PT1000).
 from -20°C to +120°C (CTN).
- 2 wires for NTC and PT1000 outputs,
 • 3 or 4 wires for PT100 output.
- For other resistance types PT25, PT50, PT500, PT200 or NI, please contact us.

Part numbers

• SF 50 – Single pair probe -

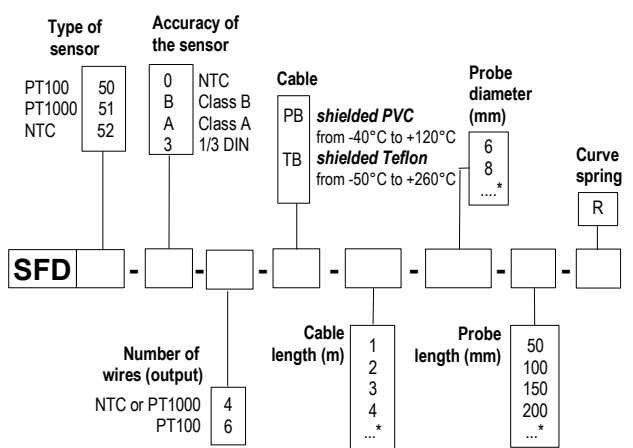


* Other length available on request

Example : SF51-B-2-P-1-4-100

Model : Temperature probe PT1000 Class B, 2 wires, PVC cable of 1 m length. Stainless steel protective sheath 4 mm Ø, length 100 mm without curve spring. Measuring range from -40 to +120°C.

• SFD 50 – Multipair Probe -

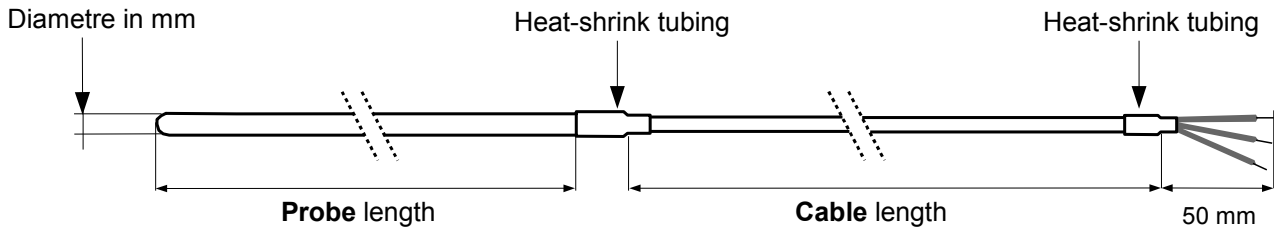


* Other length available on request

Example : SFD51-B-4-PB-1-6-100

Model : Temperature probe PT1000 Class B, 4 wires, shielded PVC cable of 1 m length. Stainless steel protective sheath 4 mm Ø, length 100 mm without curve spring. Measuring range from -40 to +120°C.

■ Probes dimensions



■ Tolerance of PT100 and PT1000 probes.

Norms as per IEC 751 (1993), BS 1904 (1984) and DIN 43760 (1980).

Temp °C	Tolerances					
	Class B		Class A		1/3 DIN	
	± °C	± Ohms	± °C	± Ohms	± °C	± Ohms
-100	0,8	0,32	0,35	0,14	0,27	0,11
-50	0,55	0,22	0,25	0,1	0,19	0,08
0	0,3	0,12	0,15	0,06	0,1	0,04
100	0,8	0,3	0,35	0,13	0,27	0,1
200	1,3	0,48	0,55	0,2	0,44	0,16
300	1,8	0,64	0,75	0,27	0,6	0,21
400	2,3	0,79	0,95	0,33	0,77	0,26

Resistance values for PT1000 (Ω) must be multiplied by 10 for the same corresponding temperature value (°C). I.e : at 0°C for Class B PT1000 ± 0.3°C → ± 1.2 Ω

■ Tolerances of NTC probes

Measuring range °C	Tolerances °C
from -20°C to 0°C	± 0.5°C
from 0°C to +70°C	± 0.2 °C
from +70°C to +100°C	± 0.5 °C

■ Accessories (See Datasheet)

- Transmitter output 4/20 mA or 0/10V
- Wall fixing support
- Stainless steel mounting brackets
- ¼" or ½" Gas screw nut
- Stainless steel compression fitting
- Teflon or stainless steel ferrule for compression fittings



- Sleeve to weld for food industry
- Stainless steel union fitting
- ½" Gas or NPT thread cuff
- Thermo-conducting silicone grease
- Calibration certificate
- Thermowell

