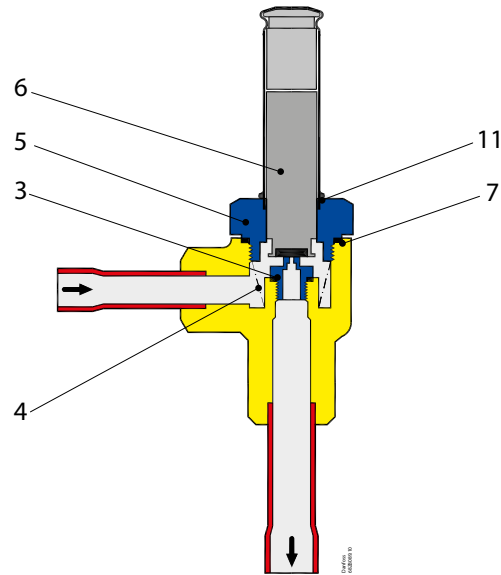


## Spare parts and accessories

Electric expansion valves,  
type AKV 10 and AKVH 10



| Type | Pos. | Description | Qty. | Code no. |
|------|------|-------------|------|----------|
|------|------|-------------|------|----------|

### Orifice kit

|                   |    |               |   |                 |
|-------------------|----|---------------|---|-----------------|
| AKV 10<br>AKVH 10 | 3  | Orifice no. 0 | 1 | <b>068F5283</b> |
|                   | 3  | Orifice no. 1 | 1 |                 |
|                   | 3  | Orifice no. 2 | 1 |                 |
|                   | 3  | Orifice no. 3 | 1 |                 |
|                   | 7  | Cu/Tn gasket  | 1 |                 |
|                   | 11 | O-ring        | 1 |                 |

### Orifice kit

|                   |    |               |   |                 |
|-------------------|----|---------------|---|-----------------|
| AKV 10<br>AKVH 10 | 3  | Orifice no. 4 | 1 | <b>068F5284</b> |
|                   | 3  | Orifice no. 5 | 1 |                 |
|                   | 3  | Orifice no. 6 | 1 |                 |
|                   | 7  | Cu/Tn gasket  | 1 |                 |
|                   | 11 | O-ring        | 1 |                 |

### Orifice kit

|        |    |               |   |                 |
|--------|----|---------------|---|-----------------|
| AKV 10 | 3  | Orifice no. 7 | 1 | <b>068F5285</b> |
|        | 3  | Orifice no. 8 | 1 |                 |
|        | 7  | Cu/Tn gasket  | 1 |                 |
|        | 11 | O-ring        | 1 |                 |

| Type | Pos. | Description | Qty. | Code no. |
|------|------|-------------|------|----------|
|------|------|-------------|------|----------|

### Filter

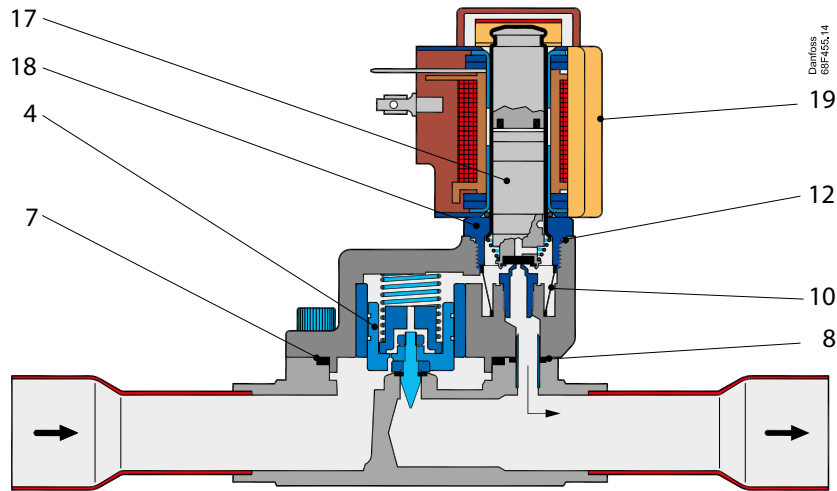
|         |   |            |    |                 |
|---------|---|------------|----|-----------------|
| AKV 10  | 4 | Filter     | 10 | <b>068F0540</b> |
| AKVH 10 | 7 | Alu gasket | 10 |                 |

### Armature kit

|                   |   |                        |   |                 |
|-------------------|---|------------------------|---|-----------------|
| AKV 10<br>AKVH 10 | 5 | Armature tube assembly | 1 | <b>068F0541</b> |
|                   | 6 | Armature               | 1 |                 |
|                   | 7 | Cu/Tn gasket           | 1 |                 |

## Spare parts and accessories

Electric expansion valves,  
type AKV 15



Danfoss  
068F455, 14

| Type              | Pos. | Description           | Qty. | Code no.        |
|-------------------|------|-----------------------|------|-----------------|
| <b>Piston kit</b> |      |                       |      |                 |
| AKV 15-1          | 4    | Piston assembly       | 1    | <b>068F5265</b> |
|                   | 7    | Square gasket, rubber | 1    |                 |
|                   | 8    | O-ring                | 1    |                 |
|                   | 19   | Label                 | 2    |                 |

|                   |    |                       |   |                 |
|-------------------|----|-----------------------|---|-----------------|
| <b>Piston kit</b> |    |                       |   |                 |
| AKV 15-2          | 4  | Piston assembly       | 1 | <b>068F5266</b> |
|                   | 7  | Square gasket, rubber | 1 |                 |
|                   | 8  | O-ring                | 1 |                 |
|                   | 19 | Label                 | 2 |                 |

|                   |    |                       |   |                 |
|-------------------|----|-----------------------|---|-----------------|
| <b>Piston kit</b> |    |                       |   |                 |
| AKV 15-3          | 4  | Piston assembly       | 1 | <b>068F5267</b> |
|                   | 7  | Square gasket, rubber | 1 |                 |
|                   | 8  | O-ring                | 1 |                 |
|                   | 19 | Label                 | 2 |                 |

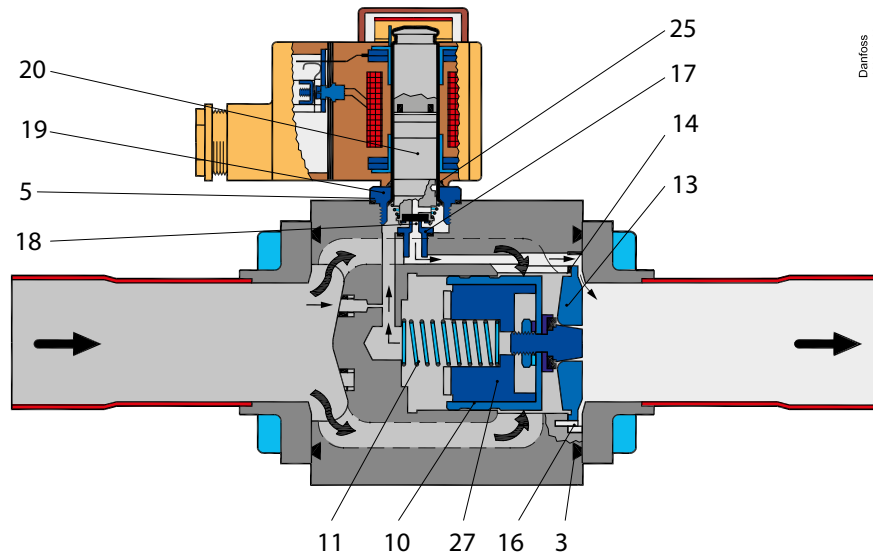
|                   |    |                       |   |                 |
|-------------------|----|-----------------------|---|-----------------|
| <b>Piston kit</b> |    |                       |   |                 |
| AKV 15-4          | 4  | Piston assembly       | 1 | <b>068F5268</b> |
|                   | 7  | Square gasket, rubber | 1 |                 |
|                   | 8  | O-ring                | 1 |                 |
|                   | 19 | Label                 | 2 |                 |

| Type               | Pos. | Description            | Qty. | Code no.        |
|--------------------|------|------------------------|------|-----------------|
| <b>Amature kit</b> |      |                        |      |                 |
| AKV 15             | 17   | Armature               | 1    | <b>068F5045</b> |
|                    | 18   | Armature tube assembly | 1    |                 |
|                    | 12   | Alu gasket             | 1    |                 |

|               |    |            |    |                 |
|---------------|----|------------|----|-----------------|
| <b>Filter</b> |    |            |    |                 |
| AKV 15        | 10 | Filter     | 10 | <b>068F0540</b> |
|               | 12 | Alu gasket | 10 |                 |

## Spare parts and accessories

Electric expansion valves,  
type AKV 20



Danfoss  
42H50.13

| Type              | Pos. | Description     | Qty. | Code no.        |
|-------------------|------|-----------------|------|-----------------|
| <b>Piston kit</b> |      |                 |      |                 |
| AKV 20-0.6        | 10   | Piston assembly | 1    | <b>042H2039</b> |
|                   | 11   | Spring          | 1    |                 |
|                   | 27   | Insert          | 1    |                 |
|                   | 14   | O-ring          | 1    |                 |
|                   | 3    | O-ring          | 2    |                 |
| <b>Piston kit</b> |      |                 |      |                 |
| AKV 20-1          | 10   | Piston assembly | 1    | <b>042H2040</b> |
|                   | 11   | Spring          | 1    |                 |
|                   | 27   | Insert          | 1    |                 |
|                   | 14   | O-ring          | 1    |                 |
|                   | 3    | O-ring          | 2    |                 |
| <b>Piston kit</b> |      |                 |      |                 |
| AKV 20-2          | 10   | Piston assembly | 1    | <b>042H2041</b> |
|                   | 11   | Spring          | 1    |                 |
|                   | 27   | Insert          | 1    |                 |
|                   | 14   | O-ring          | 1    |                 |
|                   | 3    | O-ring          | 2    |                 |
| <b>Piston kit</b> |      |                 |      |                 |
| AKV 20-3          | 10   | Piston assembly | 1    | <b>042H2042</b> |
|                   | 11   | Spring          | 1    |                 |
|                   | 27   | Insert          | 1    |                 |
|                   | 14   | O-ring          | 1    |                 |
|                   | 3    | O-ring          | 2    |                 |
| <b>Piston kit</b> |      |                 |      |                 |
| AKV 20-4          | 10   | Piston assembly | 1    | <b>042H2043</b> |
|                   | 11   | Spring          | 1    |                 |
|                   | 27   | Insert          | 1    |                 |
|                   | 14   | O-ring          | 1    |                 |
|                   | 3    | O-ring          | 2    |                 |
| <b>Piston kit</b> |      |                 |      |                 |
| AKV 20-5          | 10   | Piston assembly | 1    | <b>042H2044</b> |
|                   | 11   | Spring          | 1    |                 |
|                   | 27   | Insert          | 1    |                 |
|                   | 14   | O-ring          | 1    |                 |
|                   | 3    | O-ring          | 2    |                 |

| Type  | Pos. | Description                | Qty. | Code no.        |
|---|------|----------------------------|------|-----------------|
| <b>Orifice kit</b>                                |      |                            |      |                 |
| AKV 20-0.6,<br>AKV 20-1,<br>AKV 20-2,<br>AKV 20-3 | 13   | Main orifice, dia. 8 mm    | 1    | <b>068F5270</b> |
|   | 18   | Pilot orifice, dia. 1.2 mm | 1    |                 |
|   | 16   | Pin                        | 1    |                 |
|   | 3    | O-ring                     | 2    |                 |
|   | 14   | O-ring                     | 1    |                 |
|   | 5    | Alu gasket                 | 2    |                 |
|   | 17   | Alu gasket                 | 1    |                 |
| <b>Orifice kit</b>                                |      |                            |      |                 |
| AKV 20-4,<br>AKV 20-5                             | 13   | Main orifice, dia. 14 mm   | 1    | <b>068F5271</b> |
|   | 18   | Pilot orifice, dia. 2.4 mm | 1    |                 |
|   | 16   | Pin                        | 1    |                 |
|   | 3    | O-ring                     | 2    |                 |
|   | 14   | O-ring                     | 1    |                 |
|   | 5    | Alu gasket                 | 2    |                 |
| <b>Gasket kit</b>                                 |      |                            |      |                 |
| AKV 20  | 3    | O-ring                     | 2    | <b>042H0160</b> |
|   | 14   | O-ring                     | 1    |                 |
|   | 16   | Pin                        | 1    |                 |
|   | 25   | O-ring                     | 1    |                 |
|   | 5    | Alu gasket                 | 2    |                 |
|   | 17   | Alu gasket                 | 1    |                 |
| <b>Armature kit</b>                               |      |                            |      |                 |
| AKV 20  | 20   | Armature                   | 1    | <b>068F5045</b> |
|   | 19   | Armature tube assembly     | 1    |                 |
|   | 5    | Alu gasket                 | 1    |                 |