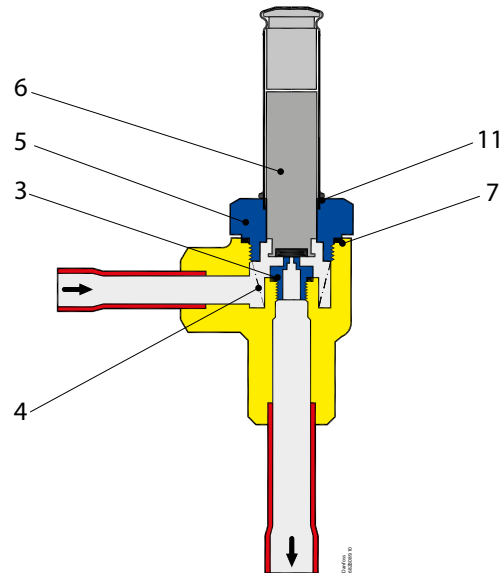


## Spare parts and accessories

Electric expansion valves,  
type AKV 10 and AKVH 10



Type	Pos.	Description	Qty.	Code no.
------	------	-------------	------	----------

### Orifice kit

AKV 10 AKVH 10	3	Orifice no. 0	1	<b>068F5283</b>
	3	Orifice no. 1	1	
	3	Orifice no. 2	1	
	3	Orifice no. 3	1	
	7	Cu/Tn gasket	1	
	11	O-ring	1	

### Orifice kit

AKV 10 AKVH 10	3	Orifice no. 4	1	<b>068F5284</b>
	3	Orifice no. 5	1	
	3	Orifice no. 6	1	
	7	Cu/Tn gasket	1	
	11	O-ring	1	

### Orifice kit

AKV 10	3	Orifice no. 7	1	<b>068F5285</b>
	3	Orifice no. 8	1	
	7	Cu/Tn gasket	1	
	11	O-ring	1	

Type	Pos.	Description	Qty.	Code no.
------	------	-------------	------	----------

### Filter

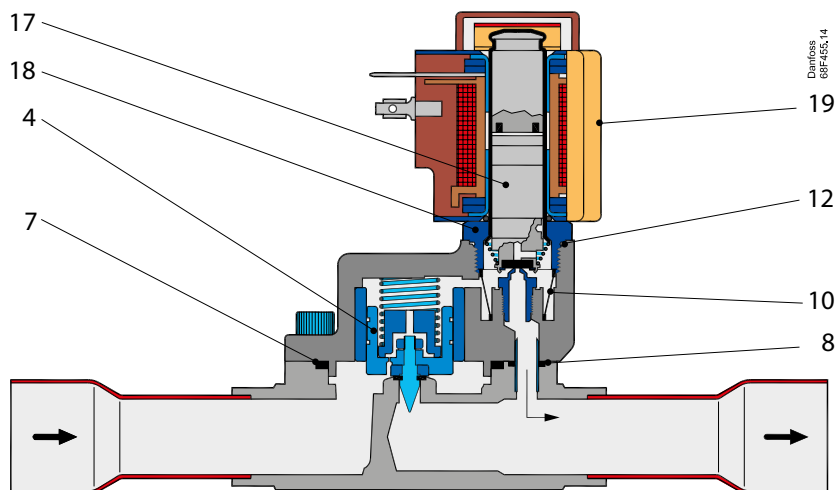
AKV 10	4	Filter	10	<b>068F0540</b>
AKVH 10	7	Alu gasket	10	

### Armature kit

AKV 10 AKVH 10	5	Armature tube assembly	1	<b>068F0541</b>
	6	Armature	1	
	7	Cu/Tn gasket	1	

## Spare parts and accessories

Electric expansion valves,  
type AKV 15



Type	Pos.	Description	Qty.	Code no.
<b>Piston kit</b>				
AKV 15-1	4	Piston assembly	1	<b>068F5265</b>
	7	Square gasket, rubber	1	
	8	O-ring	1	
	19	Label	2	

Type	Pos.	Description	Qty.	Code no.
<b>Piston kit</b>				
AKV 15-2	4	Piston assembly	1	<b>068F5266</b>
	7	Square gasket, rubber	1	
	8	O-ring	1	
	19	Label	2	

Type	Pos.	Description	Qty.	Code no.
<b>Piston kit</b>				
AKV 15-3	4	Piston assembly	1	<b>068F5267</b>
	7	Square gasket, rubber	1	
	8	O-ring	1	
	19	Label	2	

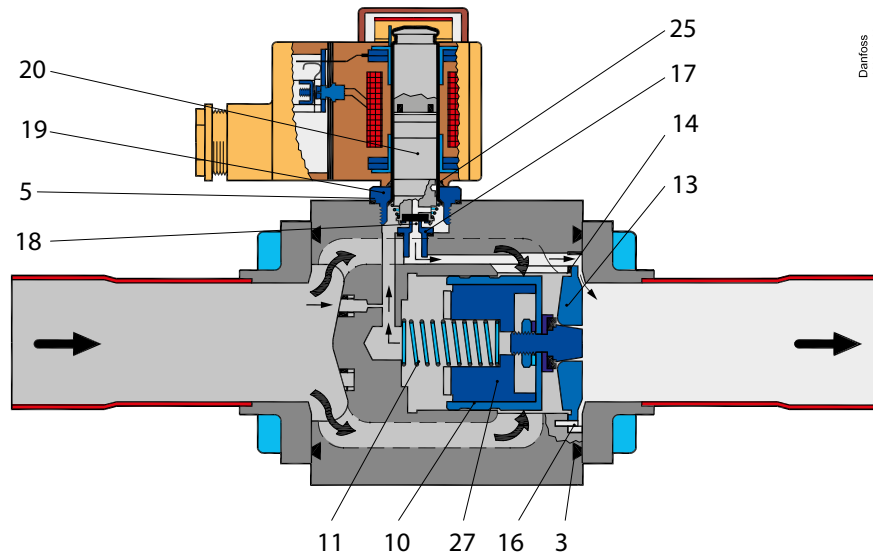
Type	Pos.	Description	Qty.	Code no.
<b>Piston kit</b>				
AKV 15-4	4	Piston assembly	1	<b>068F5268</b>
	7	Square gasket, rubber	1	
	8	O-ring	1	
	19	Label	2	

Type	Pos.	Description	Qty.	Code no.
<b>Amature kit</b>				
AKV 15	17	Armature	1	<b>068F5045</b>
	18	Armature tube assembly	1	
	12	Alu gasket	1	

Type	Pos.	Description	Qty.	Code no.
<b>Filter</b>				
AKV 15	10	Filter	10	<b>068F0540</b>
	12	Alu gasket	10	

## Spare parts and accessories

Electric expansion valves,  
type AKV 20



Type	Pos.	Description	Qty.	Code no.
<b>Piston kit</b>				
AKV 20-0.6	10	Piston assembly	1	<b>042H2039</b>
	11	Spring	1	
	27	Insert	1	
	14	O-ring	1	
	3	O-ring	2	
<b>Piston kit</b>				
AKV 20-1	10	Piston assembly	1	<b>042H2040</b>
	11	Spring	1	
	27	Insert	1	
	14	O-ring	1	
	3	O-ring	2	
<b>Piston kit</b>				
AKV 20-2	10	Piston assembly	1	<b>042H2041</b>
	11	Spring	1	
	27	Insert	1	
	14	O-ring	1	
	3	O-ring	2	
<b>Piston kit</b>				
AKV 20-3	10	Piston assembly	1	<b>042H2042</b>
	11	Spring	1	
	27	Insert	1	
	14	O-ring	1	
	3	O-ring	2	
<b>Piston kit</b>				
AKV 20-4	10	Piston assembly	1	<b>042H2043</b>
	11	Spring	1	
	27	Insert	1	
	14	O-ring	1	
	3	O-ring	2	
<b>Piston kit</b>				
AKV 20-5	10	Piston assembly	1	<b>042H2044</b>
	11	Spring	1	
	27	Insert	1	
	14	O-ring	1	
	3	O-ring	2	

Type	Pos.	Description	Qty.	Code no.
<b>Orifice kit</b>				
AKV 20-0.6, AKV 20-1, AKV 20-2, AKV 20-3	13	Main orifice, dia. 8 mm	1	<b>068F5270</b>
	18	Pilot orifice, dia. 1.2 mm	1	
	16	Pin	1	
	3	O-ring	2	
	14	O-ring	1	
	5	Alu gasket	2	
	17	Alu gasket	1	
<b>Orifice kit</b>				
AKV 20-4, AKV 20-5	13	Main orifice, dia. 14 mm	1	<b>068F5271</b>
	18	Pilot orifice, dia. 2.4 mm	1	
	16	Pin	1	
	3	O-ring	2	
	14	O-ring	1	
	5	Alu gasket	2	
<b>Gasket kit</b>				
AKV 20	3	O-ring	2	<b>042H0160</b>
	14	O-ring	1	
	16	Pin	1	
	25	O-ring	1	
	5	Alu gasket	2	
	17	Alu gasket	1	
<b>Armature kit</b>				
AKV 20	20	Armature	1	<b>068F5045</b>
	19	Armature tube assembly	1	
	5	Alu gasket	1	