

Installation guide

Thermostatic expansion valve

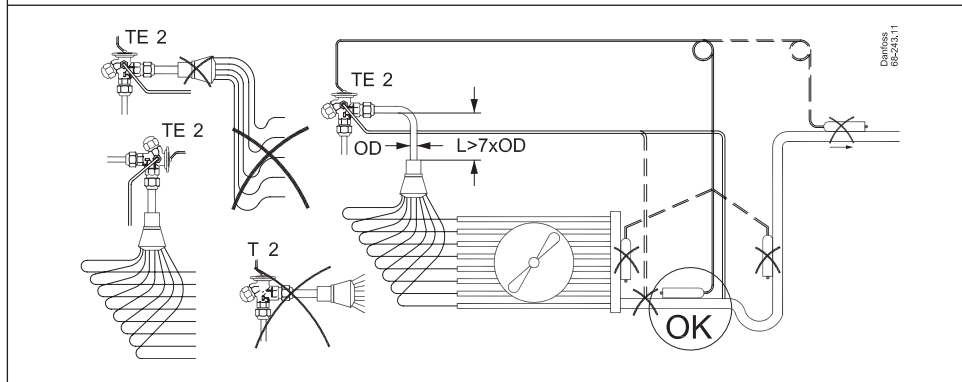
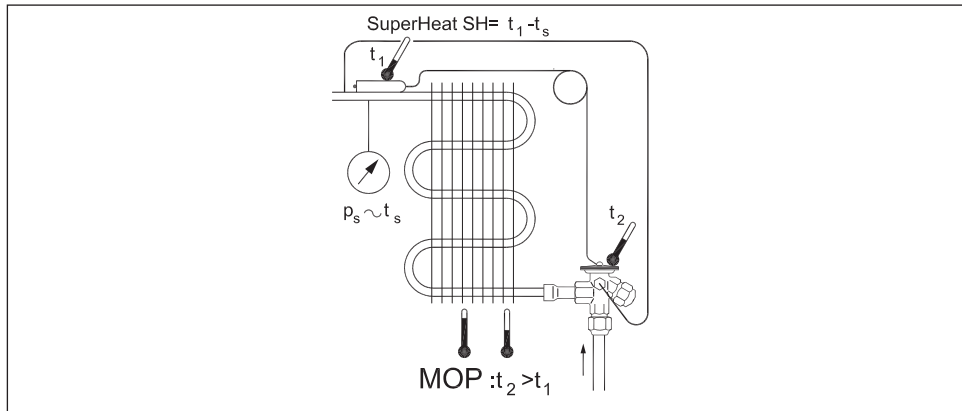
Type T 2 / TE 2

068R9536



068R9536





SH= SuperHeat

| | |
|-----------|--------------------|
| N,B | N_{MOP}, B_{MOP} |
| 4°C (7°F) | 4°C (7°F) |

Danfoss 68Z15, 14

SH= SuperHeat

1

Stop

2

| | |
|--------------|--------------------|
| N,B | N_{MOP}, B_{MOP} |
| ~ 2-3 x 360° | ~ 1,5 - 2 x 360° |

SuperHeat SH= $t_1 - t_s$

t_1

$p_s \sim t_s$

360°

$\Delta SH / 360^\circ$

| | |
|--------------|--------------|
| N, N_{MOP} | ~ 4°C (7°F) |
| NM, NL | ~ 8°C (14°F) |
| B, B_{MOP} | ~ 8°C (14°F) |

Danfoss 68Z20, 14

Temperature ranges:

N = -40 - 10 °C / -40 - 60 °F

NM = -40 - -5 °C / -40 - 25 °F

NL = -40 - -15 °C / -40 - 5 °F

B = -60 - -25 °C / -75 - -15 °F