

Installation Guide

How to apply Molycote G 4500 grease for ICM motor operated valves

027R9787

Remove the O-ring on the ICM adapter with your fingers. Do not use any tool because it could damage the O-ring.



O-ring

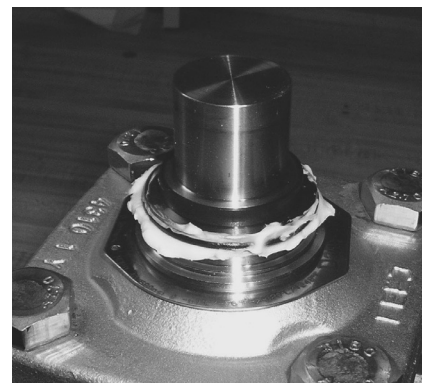


For ICM in service

If there is any ice or moisture present, it must be removed prior to applying the grease. The ice can be melted with an electric heater or hair dryer.



Apply the molycote G4500 grease (supplied with ICAD) to the O-ring groove on the ICM adapter and O-ring. Then install the greased O-ring into the groove on the ICM adapter as shown in the picture.



Apply another layer of grease over the O-ring as shown in the picture.

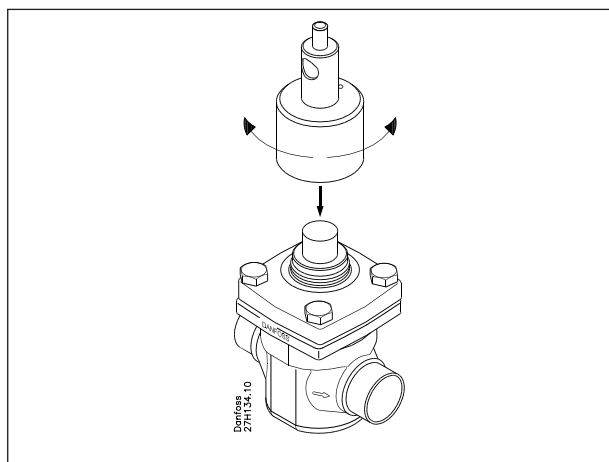


027R9787

Info for UK customers only: Danfoss Ltd. Oxford Road, UB9 4LH Denham, UK

Close ICM by turning the multi-function tool counter-clockwise, until it cannot be tightened further.

Open ICM by turning the multi-function tool approx. 1 turn clockwise.



Install the ICAD actuator on the ICM adapter making sure it is pushed completely down. Fasten the set screws using a 2.5 mm hexagon key



For ICAD already electrical connected to control system.
Program ICAD to manual mode.
(i01=2).

Install the ICAD actuator on the ICM adapter making sure it is pushed completely down. Fasten the set screws using a 2.5 mm hexagon key.

Program ICAD to calibrate to the actual ICM valve - i10 (password) and i26 (selection of ICM size).

Await calibration to finish.

Return ICAD to normal operation.
(i01=1)



Set screws