

Installation guide

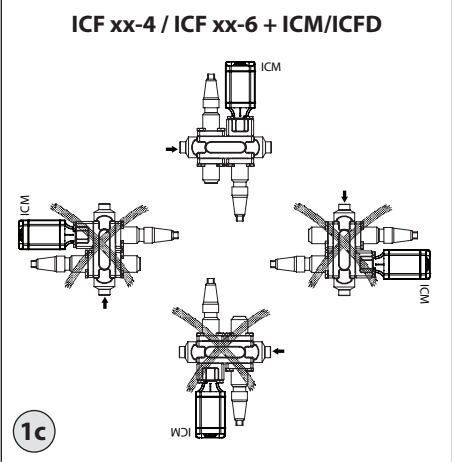
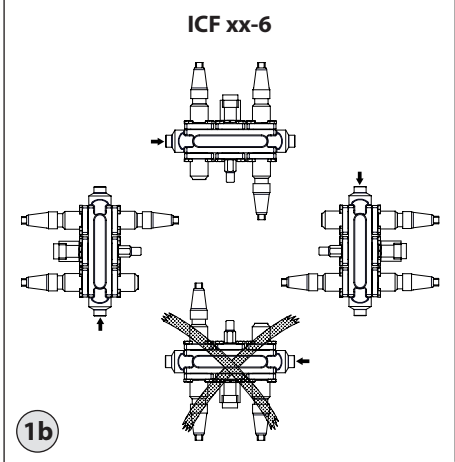
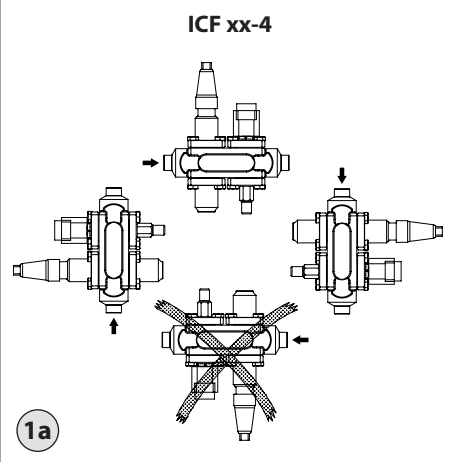
Valve Station

Types ICF 15, ICF 20, ICF 25, ICF SS 20 and ICF SS 25

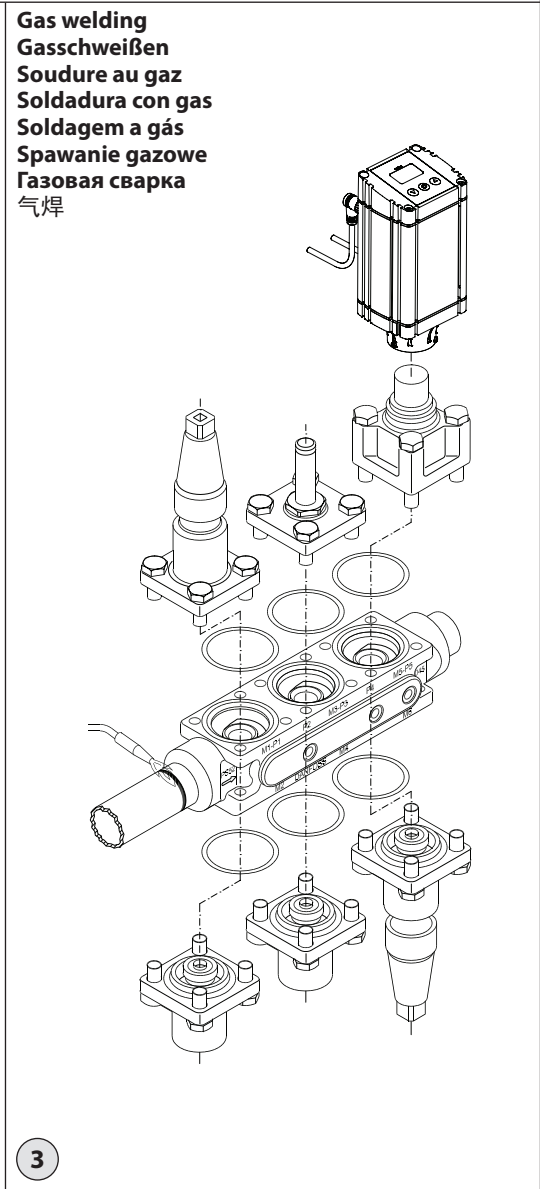
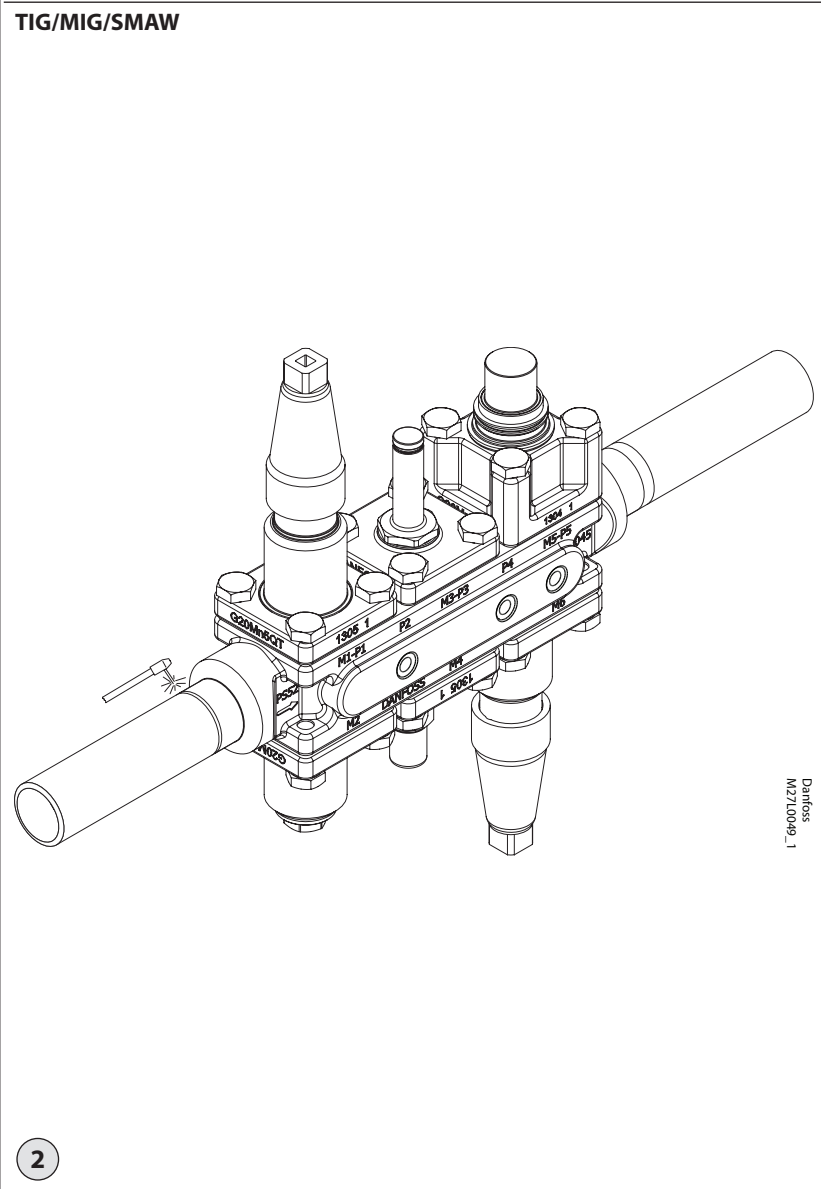
UK
CA

027R9782

Installation | Installation | Installation | Instalación | Instalação | Montaż | Монтаж | 安装



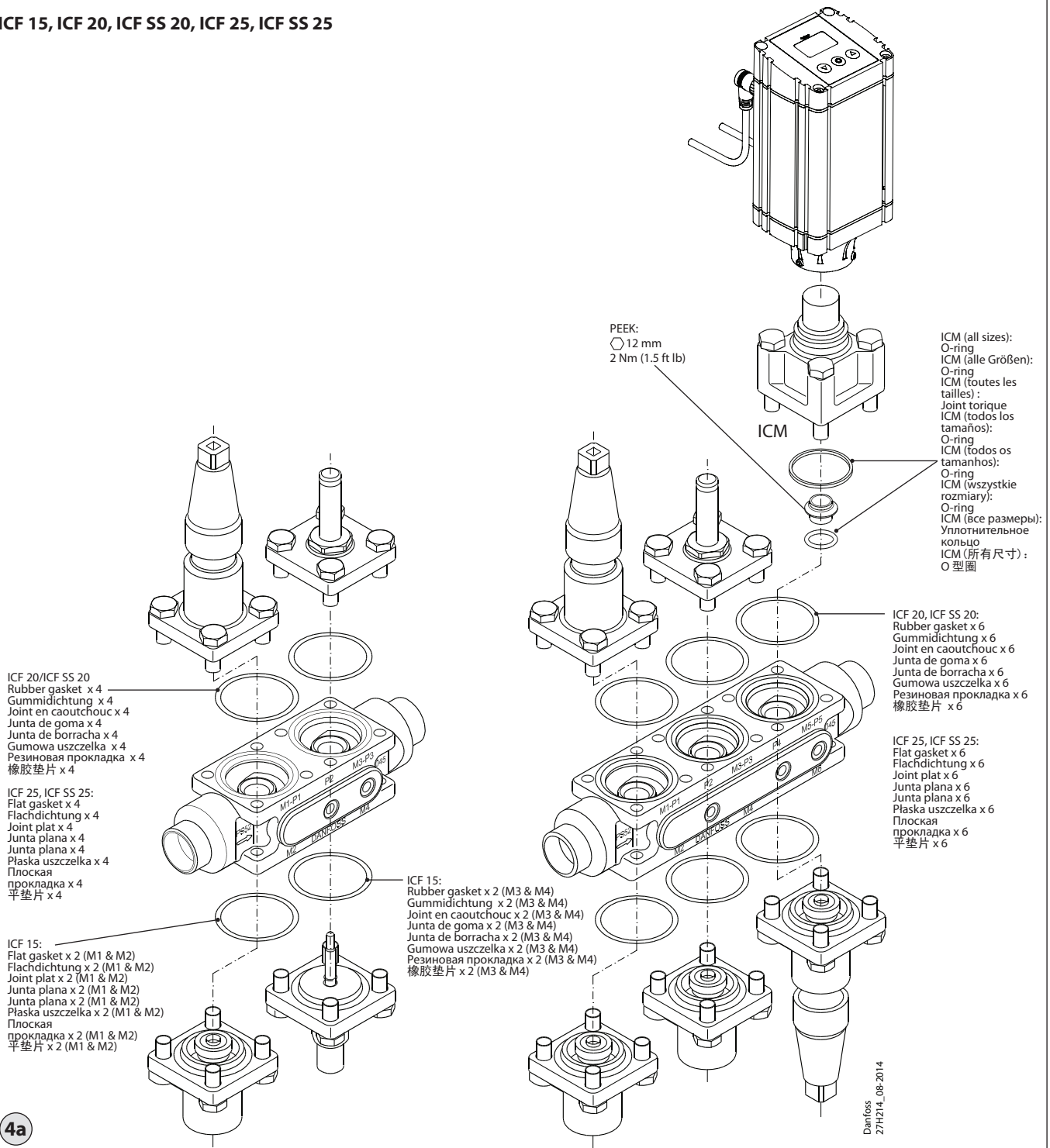
Welding | Schweißen | Soudure | Soldadura | Soldagem | Spawanie | Сварка | 焊接



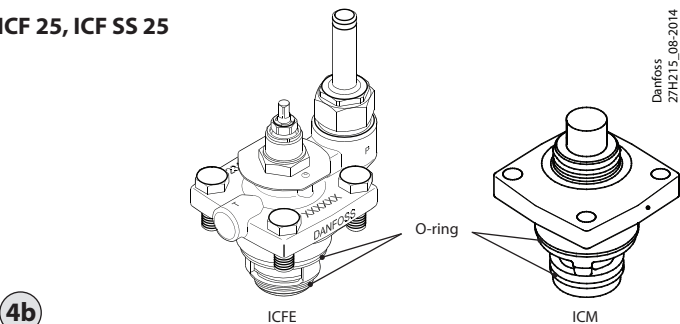
027R9782

Info for UK customers only: Danfoss Ltd, Oxford Road, UB9 4LH Denham, UK

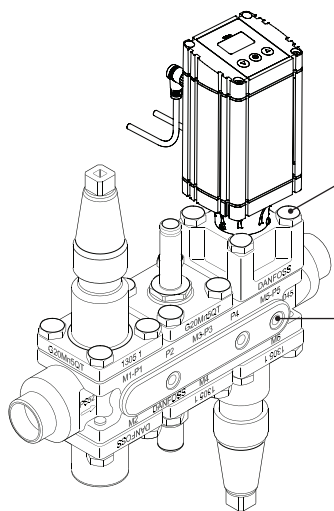
ICF 15, ICF 20, ICF SS 20, ICF 25, ICF SS 25



ICF 25, ICF SS 25



Tightening | Drehmoment | Serrage | Par de apriete | Aperto | Dokręcenie | Затяжка | 紧固



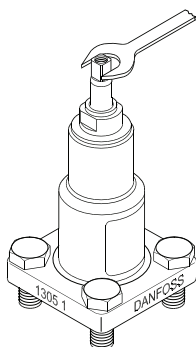
	M1	M2	M3	M4	M5	M6
ICF 15	22 Nm (16 ft lbs)	22 Nm (16 ft lbs)	35 Nm (25.8 ft lbs)	35 Nm (25.8 ft lbs)		
ICF 20 ICF SS 20	35 Nm (25.8 ft lbs)	35 Nm (25.8 ft lbs)	35 Nm (25.8 ft lbs)	35 Nm (25.8 ft lbs)	35 Nm (25.8 ft lbs)	35 Nm (25.8 ft lbs)
ICF 25	60 Nm (44 ft lbs)	60 Nm (44 ft lbs)	60 Nm (44 ft lbs)	60 Nm (44 ft lbs)	60 Nm (44 ft lbs)	60 Nm (44 ft lbs)
ICF SS 25	80 Nm (58 ft lbs)	80 Nm (58 ft lbs)	80 Nm (58 ft lbs)	80 Nm (58 ft lbs)	80 Nm (58 ft lbs)	80 Nm (58 ft lbs)
ICF 15-25				60 Nm (44 ft lbs)		
ICF SS 20-25				80 Nm (58 ft lbs)		

5

ICF 15, ICF 20, ICF SS 20 Manual stem | Handbetätigung | Tige manuelle | Vástago manual |
Operação manual | Wrzeciono obsługi ręcznej | Ручное управление | 手动阀杆



Max. 25 Nm (18 ft lbs) (Closing ICFR: max. 4 Nm (3 ft lbs))
Max. 25 Nm (18 ft lbs) (ICFR schließen: max. 4 Nm (3 ft lbs))
Max. 25 Nm (18 lb ft) (fermeture ICFR: max. 4 Nm (3 lb ft))
Máx. 25 N-m (18 lb-ft) (Cierre del modulo ICFR: máx. 4 N-m (3 lb-ft))
Máx. 25 Nm (18 lb pés) (Fechamento do ICFR: máx. 4 Nm (3 lb pés))
Maks. 25 Nm (18 lbf x ft) (zamykanie zaworu ICFR: maks. 4 Nm (3 lbf x ft))
Макс. 25 Нм (18 фт-фнт) (закрытие ICFR: макс. 4 Нм (3 фт-фнт))
最大 25 Nm (18 ft lbs) (关闭 ICFR: 最大 4 Nm (3 ft lbs))



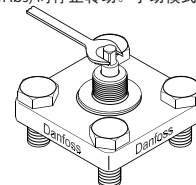
6a ICF, ICF SS, ICFR, ICFR SS, ICFN, ICFN SS



Max. 20 Nm (15 ft lbs) at stop. Automatic mode (ICFE ON/OFF by coil)
Max. 20 Nm (15 ft lbs) bei Stopp. Automatikbetrieb (ICFE EIN/AUS durch Spule)
Max. 20 Nm (15 lb ft) à l'arrêt. Mode automatique (ICFE ON/OFF par bobine)
Máx. 20 N-m (15 lb-ft) en parada. Modo automático (funcion ON/OFF del modulo ICFE, mediante bobina).
Máx. 20 Nm (15 lb pés) na parada. Modo automático (ICFE ON/OFF [liga/desliga] por bobina)
Maks. 20 Nm (15 lbf x ft) w punkcie zatrzymania. Tryb automatyczny (włącz./wyłącz. zaworu ICFE przez cewkę)
Макс. 20 Нм (15 фт-фнт) при остановке. Автоматический режим (включение/выключение ICFE с помощью катушки)
最大 20 Nm (54.86 cm lbs) 时停止转动。自动模式(用盘管开关 ICFE)



Max. 2.5 Nm (1.8 ft lbs) at stop. Manual mode (ICFE forced open)
Max. 2.5 Nm (1.8 ft lbs) bei Stopp. Handbetrieb (ICFE zwangsweise geöffnet)
Max. 2.5 Nm (1.8 lb ft) à l'arrêt. Mode manuel (ICFE forcé en position ouverte)
Máx. 2.5 Nm (1.8 lb-ft) en parada. Modo manual (funcion de apertura forzada del modulo ICFE).
Máx. 2.5 Nm (1.8 lb pés) na parada. Modo manual (abertura forçada da ICFE)
Maks. 2,5 Nm (1,8 lbf x ft) w punkcie zatrzymania. Tryb ręczny (wymuszone otwarcie zaworu ICFE)
Макс. 2,5 Нм (1,8 фт-фнт) при остановке. Ручной режим (принудительное открытие ICFE)
最大 2.5 Nm (54.86 cm lbs) 时停止转动。手动模式(icfe 强制开启)

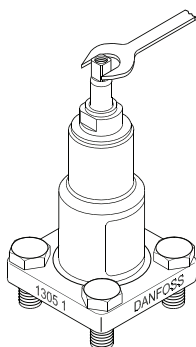


6b ICFO, ICFO SS

ICF 25, ICF SS 25 Manual stem | Handbetätigung | Tige manuelle | Vástago manual |
Operação manual | Wrzeciono obsługi ręcznej | Ручное управление | 手动阀杆



Max. 40 Nm (30 ft lbs) (Closing ICFR, ICFN: max. 10 Nm (7 ft lbs))
Max. 40 Nm (30 ft lbs) (ICFR, ICFN schließen: max. 10 Nm (7 ft lbs))
Max. 40 Nm (30 lb ft) (fermeture ICFR, ICFN: max. 10 Nm (7 lb ft))
Máx. 40 N-m (30 lb-ft) (Cierre del modulo ICFR, ICFN: máx. 10 N-m (7 lb-ft))
Máx. 40 Nm (30 lb pés) (Fechamento do ICFR, ICFN: máx. 10 Nm (7 lb pés))
Maks. 40 Nm (30 lbf x ft) (zamykanie zaworu ICFR: maks. 10 Nm (7 lbf x ft))
Макс. 40 Нм (30 фт-фнт) (закрытие ICFR: макс. 10 Нм (7 фт-фнт))
最大 40 Nm (914.40 cm lbs) (关闭 ICFR、ICFN: 最大 10 Nm (213.36 cm lbs))



7a ICF, ICF SS, ICFR, ICFR SS, ICFN, ICFN SS

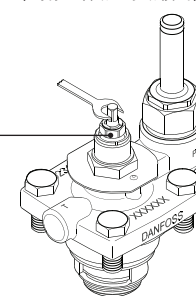


Max. 4 Nm (3 ft lbs) at stop. Automatic mode (ICFE ON/OFF by coil)
Max. 4 Nm (3 ft lbs) bei Stopp. Automatikbetrieb (ICFE EIN/AUS durch Spule)
Max. 4 Nm (3 lb ft) à l'arrêt. Mode automatique (ICFE ON/OFF par bobine)
Máx. 4 N-m (3 lb-ft) en parada. Modo automático (funcion ON/OFF del modulo ICFE, mediante bobina).
Máx. 4 Nm (3 lb pés) na parada. Modo automático (ICFE ON/OFF [liga/desliga] por bobina)
Maks. 4 Nm (3 lbf x ft) w punkcie zatrzymania. Tryb automatyczny (włącz./wyłącz. zaworu ICFE przez cewkę)
Макс. 4 Нм (3 фт-фнт) при остановке. Автоматический режим (включение/выключение ICFE с помощью катушки)
最大 4 Nm (54.86 cm lbs) 时停止转动。自动模式(用盘管开关 ICFE)



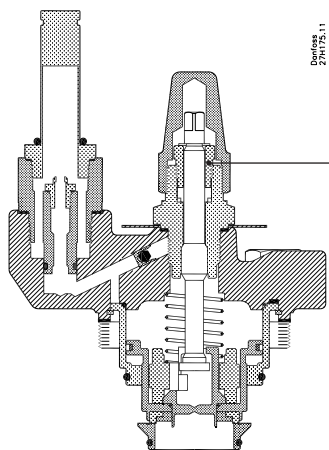
Max. 10 Nm (7 ft lbs) at stop. Manual mode (ICFE forced open)
Max. 10 Nm (7 ft lbs) bei Stopp. Handbetrieb (ICFE zwangsweise geöffnet)
Max. 10 Nm (7 lb ft) à l'arrêt. Mode manuel (ICFE forcé en position ouverte)
Máx. 10 N-m (7 lb-ft) en parada. Modo manual (funcion de apertura forzada del modulo ICFE).
Máx. 10 Nm (7 lb pés) na parada. Modo manual (abertura forçada da ICFE)
Maks. 10 Nm (7 lbf x ft) w punkcie zatrzymania. Tryb ręczny (wymuszone otwarcie zaworu ICFE)
Макс. 10 Нм (7 фт-фнт) при остановке. Ручной режим (принудительное открытие ICFE)
最大 10 Nm (54.86 cm lbs) 时停止转动。手动模式(icfe 强制开启)

Packing gland
Stopfbuchse
Presse-étoupe
Sobreposta
Sobreposta
Dławnica
Сальник
填料函



7b ICFE, ICFE SS

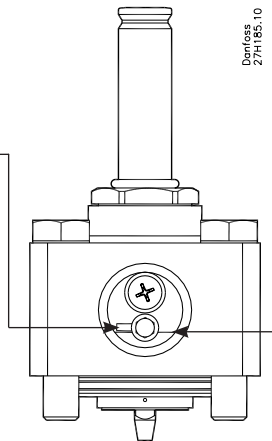
ICFE 25, ICFE SS 25, ICFE 20H, ICFE SS 20H Manual stem | Handbetätigung | Tige manuelle | Vástago manual | Operação manual | Wrzecziono obsługi ręcznej | Ручное управление | 手动阀杆



Locking ring
Verschlussring
Anneau de blocage
Anillo de bloqueo
Anel de bloqueio
Pierścień ustalający
Стопорное кольцо
锁环

8a

ICFE 25, ICFE SS 25



Automatic
Automatisch
Automatique
Automático
Automatyczny
Автоматический
自动

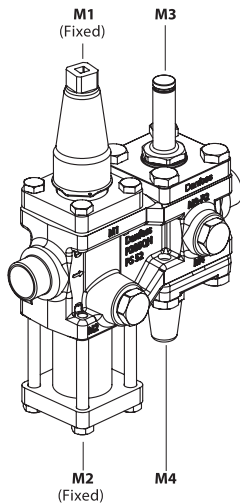
Forced open
Zwangsweise geöffnet
Forcée en position ouverte
Apertura forzada
Abertura forçada
Wymuszone otwarcie
Принудительно открыто
强制开启

8b

ICFE 20H, ICFE SS 20H

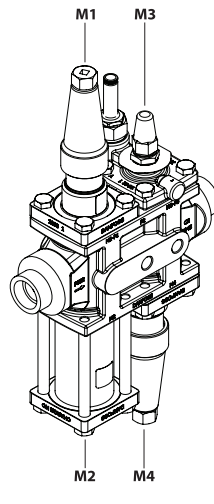
Module location | Moduleinbauort | Emplacement des modules | Ubicación de los módulos | Localização do módulo | Użytkowanie modułu | Расположение модуля | 模块位置

ICF 15-4



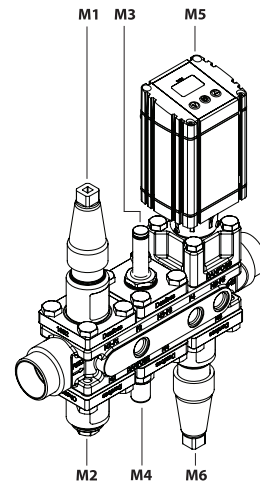
9a

ICF 20/20 SS-4, ICF 25/25 SS-4



9b

ICF 20/20 SS-6, ICF 25/25 SS-6

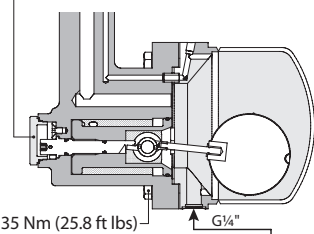


9c

ICFD

A Tighten at site | An der Stelle festziehen | Resserrer sur site | Aplicar torque en el sitio | Apertar em campo | Dokręcić po montażu | Закрутите | 现场锁紧

80 Nm
(59 ft lbs)



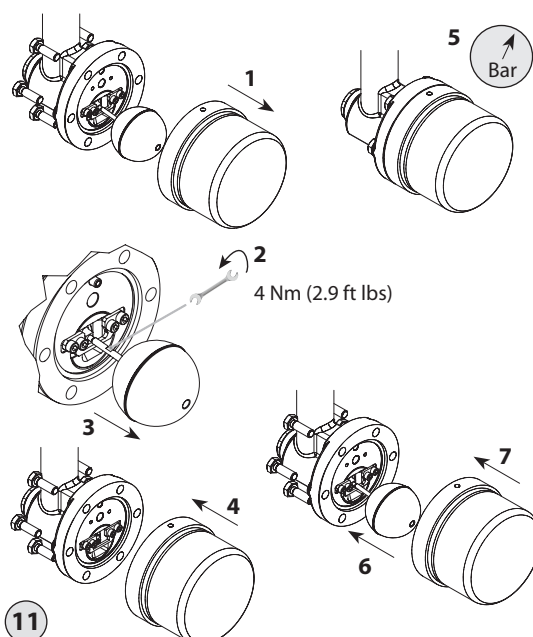
35 Nm (25.8 ft lbs)

Transport security device
Sicherungsstift
Dispositif de sécurité de transport
Dispositivo de protección de transporte
Dispositivo de segurança de transporte
Zabezpieczenia transportowe
Защитное устройство во время транспортировки
运输安全装置

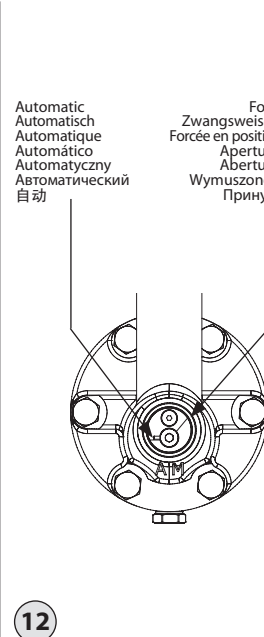
Drain plug
Ablassschraube
Connecteur de purge
Tapón de drenaje
Plugue do drenó
Korek spustowy
Сливную заглушку
排水塞

40 Nm
(29.5 ft lbs)

10



11



Automatic
Automatisch
Automatique
Automático
Automatyczny
Автоматический
自动

Forced open
Zwangsweise geöffnet
Forcée en position ouverte
Apertura forzada
Abertura forçada
Wymuszone otwarcie
Принудительно открыто
强制开启

12

ENGLISH

Refrigerants

Applicable to HCFC, non flammable HFC, R717 (Ammonia) and R744 (CO₂).

Exception:

ICFD is designed for ammonia and CO₂ only

ICFD 20 = ammonia version

ICFD 20C = CO₂ version

The use of ICF valve stations with flammable hydrocarbons is not recommended.

The ICF is only recommended for use in closed circuits. For further information please contact Danfoss.

Temperature range

ICF in general:

-60/+120°C (-76/+248°F)

ICFD 20: -50/+50 °C (-58/+122 °F) at 28 bar g (406 psi g)

ICFD 20C: -50/+50 °C (-58/+122 °F) at 52 bar g (754 psi g)

Pressure range

The general ICF is designed for:

Max. working pressure: 52 bar g (754 psi g)

ICFD 20 (Ammonia):

For ICF with ICFD module the max. working pressure is 28 bar g / 406 psi g. If the refrigeration system include ICFD 20 module, a test pressure of the system must not exceed 28 bar g / 406 psi g, unless the ICFD float is temporarily taken out before test. See fig. 11.

ICFD 20C (CO₂):

For ICF with ICFD 20C module the max. working pressure is 52 bar g / 754 psi g. If the refrigeration system include ICFD 20C module, a test pressure of the system must not exceed 52 bar g / 754 psi g, unless the ICFD 20C float is temporarily taken out before test. See fig. 11.

Application

The ICF can be used in suction, liquid, hotgas and liquid/vapor lines. The ICF is available with 4 or 6 function modules. The ICF regulates the flow of the medium by modulation or on/off function, depending on function modules installed in the ICF.

Regulating range

Dependent on the chosen type and combination of modules installed in the valve.

Installation (fig. 1)

The ICF must be installed according to fig. 1. The ICF must be installed with the arrow in the direction of the flow).

ICM and ICFD modules require horizontal valve orientation.

The ICF will be delivered with all the function modules fully assembled. The modules can be taken out for service or inspection and may be rotated 4 x 90° in relation to the valve body upon installation. Please make sure that the position of ICFD allows space for modules at each side of the ICFD.

The ICF may be fitted with a spindle for manual opening of the solenoid valve.

The ICF is designed to withstand a high internal pressure. However, the piping system should be designed to avoid liquid traps and reduce the risk of hydraulic pressure caused by thermal expansion.

It must be ensured that the ICF is protected from pressure transients like "liquid hammer" in the system.

Welding (fig. 2 and 3)

The ICF valve station can be welded by using either TIG/MIG/SMAW welding (fig. 2) or gas welding (fig. 3).

Always keep inlet and outlet protecting caps on the valve until the valve is ready to be installed, in order to prevent rust formation inside the valve station.

TIG/MIG/SMAW welding

It is not necessary to remove any of the function modules prior to TIG/MIG/SMAW welding (fig. 2) and auxiliary cooling is not needed at normal heat impact.

Every precaution must be taken to minimize welding spatter.

For ICF valve stations equipped with a stop valve in the first module (M1) and a stop-, regulating- or stop/check valve in the last module (M4 or M6), it is recommended to open these valves slightly (approx. 1 turn from closed position) to minimize welding heat impact to the Teflon seats.

After welding it is recommended to close these valves again to avoid potential pull through of gases, and keep them closed until the system is ready for operation. All other valve modules are able, in any module position, to compensate for normal welding heat impact and need no special attention.

Gas welding

Remove all inserts before welding (fig. 3). Auxiliary cooling is not needed at normal heat impact.

Every precaution must be taken to minimize welding spatter.

After welding, clean the valve inside for welding spatter and welding debris. It is recommended to reinstall the modules right after welding and to close the manual-operable M1 and M4/M6 in order to protect the interior of the valve until the system is ready for operation. In case the valve is not assembled immediately make sure that rust protective oil is applied to the inside surfaces.

The housing must be free from stresses (external loads) after installation. The ICF must not be mounted in systems where the outlet side of the ICF is open to atmosphere. The outlet side of the ICF must always be connected to the system or properly capped off, for example with a welded-on end plate.

Surface protection and identification (not applicable for SS versions)

The external surface is zinc-chromated to provide corrosion protection according to EN 12284:2003 8.13. The Zinc-Chromatization does not cover the welding connections. After installation has been completed the external surface of the valve must be protected against corrosion with a suitable top coating. Coverage of the ID label when painting the ICF is recommended.

Precise identification of the ICF is made via the ID label on each of the 4 or 6 function modules.

Maintenance (fig. 4)



Do not to mix up carbon steel parts with stainless steel parts.

Service

The ICF valve stations are easy to service. Do not open the ICF while it is still under pressure. Upon opening and removal of the function modules:

- Check that the flat gaskets and/or O-rings between the function module and the housing and O-rings on the function module has not been damaged. Replace flat gaskets and O-rings if not intact.

A valve with a damaged o-ring/gasket might not modulate according to the specification.

Flat gaskets are present in ICF 15 module M1/M2 and ICF 25/ICF SS 25 all modules.

Rubber gaskets are present in these locations: (see fig 4a, 4b)

ICF 15: 1 rubber gasket in each module M3/M4

ICF 20/ ICF SS 20: 1 rubber gasket in all modules



CO₂ applications

When used in CO₂ systems the O-rings (see fig. 4a and 4b) can swell (grow).

At service it is recommended to replace the actual number of used O-rings before the function modules are reinstalled in the ICF valve body.

ICFD 20C defrost module for CO₂:

Make sure that the module is type ICFD 20C

ENGLISH

- Check that the piston and cylinder is free of scratches and look for wear marks. If the wear is excessive the function module should be replaced to prevent false pilot signal around the piston ring.
- Check that the movement of the cylinder and valve seat is free and with low friction.
- If the teflon valve plate has been damaged, the function module must be replaced.
- On ICM 20 motor valve modules check that the PEEK seat has not been damaged or scratched. If damaged or scratched; replace the PEEK seat. (Allen key 12 mm, torque 2 Nm (1.5 ft lb)).

Assembly

Remove any dirt from the housing before the ICF is assembled.

- Check that all channels in the ICF are free of particles or similar debris. If possible, apply some refrigeration oil to ease the insertion of the modules and to protect the O-rings.

Tightening (fig. 5, 6 and 7)

Tighten the top cover with a torque wrench, to the values indicated in the table (see fig. 5).

Operating the manual stem (fig. 6 to 8)

ICF 15, ICF 20, ICF SS 20 (fig. 6a and 6b)

- ICFS/ICFS SS - stop valve module
 - ICFR/ICFR SS - manual regulating valve module
 - ICFN/ICFN SS - stop/check valve module
 - ICFO/ICFO SS - manual opening module
- Before remounting the cap on the modules ICFS/ICFS SS (stop valve module), ICFR/ICFR SS (manual regulating valve module) or ICFN/ICFN SS (stop/check valve module) please ensure that the gasket is present in the cap. Then tighten the cap with 16 Nm (12 ft lbs).

ICF 25, ICF SS 25 (see fig. 7a)

- ICFS/ICFS SS - stop valve module
 - ICFR/ICFR SS - manual regulating valve module
 - ICFN/ICFN SS - stop/check valve module
 - ICFE/ICFE SS - manual opening module
- Before remounting the cap on the modules ICFS/ICFS SS (stop valve module), ICFR/ICFR SS (manual regulating valve module) or ICFN/ICFN SS (stop/check valve module) please ensure that the gasket is present in the cap. Then tighten the cap with 24 Nm (18 ft lbs).

Packing gland (ICFE/ICFE SS) (see fig. 7b): If the packing gland is leaking, tighten it carefully with a wrench. Do not apply too much force.

Danfoss recommends that you conduct a stepwise tightening of the packing gland.

For each turn check for possible leaks.

Operating the manual stem on ICFE 25/ICFE SS 25 solenoid module (see fig. 8a):

To force open the solenoid by the manual stem turn it **counter clockwise** full way up (manual mode).

To operate the solenoid in automatic mode, turn the manual stem **clockwise** until the locking ring stops.

Do not force the spindle further. If the locking ring is damaged or removed the spindle will start to leak.

The valve cannot be forced closed by the manual stem.

Operating the manual stem on ICFE 20H/ICFE SS 20H solenoid valve module (see fig. 8b)

Remove the cap on the side of the ICFE 20H/ICFE SS 20H

At 9 o'clock position the manual opener is disabled (not active).

To force the ICFE 20H/ICFE SS 20H solenoid to open use a 5 mm Allen key and turn it clockwise to 3 o'clock position.

ICFD defrost module

Transportation protection

Remove the transport security device (pos. 1 in fig 10). Insert the drain plug + alu gasket attached to the valve (pos. 2 in fig 10) and tighten with the torque indicated.

Test pressure maximum

If the system test pressure needs to exceed:
ICFD 20 (Ammonia): 28 bar g / 406 psi g
ICFD 20C (CO₂): 52 bar g / 754 psi g
it is necessary to prepare the ICFD module like shown in fig. 11:

1. Unscrew the 6 flange bolts and remove the Float housing.
 2. + 3. Unscrew and remove the Lever together with the Float assembly using A/F 4 mm.
- Caution** - float end of lever must not be unscrewed and do not use float for unscrewing.
4. Remount the Float housing and tighten the 6 flange bolts with the torque indicated in fig 10.
 5. Test with the system pressure higher than:
ICFD 20 (Ammonia): 28 bar g / 406 psi g
ICFD 20C (CO₂): 52 bar g / 754 psi g
 6. Reinstall the Lever together with the Float assembly using A/F 4 mm. Do not use float for tightening.
 7. Remount the Float housing and tighten the 6 flange bolts with the torque indicated in fig 10.

It is recommended to replace the float housing gasket with a new gasket after this repeated compression.

Operating the manual stem on ICFD defrost module (see fig. 12)

Remove the cap on the side of the ICFD (pos. A in fig. 10).

At 9 o'clock position the manual opener is disabled (A = Automatic mode).

To force the ICFD to open use a 5 mm Allen key and turn it clockwise to approx. 2 o'clock position till it reaches the mechanical stop (M = Manual open mode). Always return the manual opener to automatic mode for normal operation. Remount the cap A in fig 10 and tighten with torque 80 Nm (59 ft lbs). It is recommended to replace the Alu gasket if further openings of cap are required.

ENGLISH

Module location (fig. 9a, 9b, 9c)

ICF with four modules

Function	Module Type	Can be installed in these locations			
ICFS/ICFS SS	Stop valve module	M1 *)	M2	M3	M4
ICFR/ICFR SS	Manual regulating valve module	M1 *)	M2	M3	M4
ICFF/ICFF SS	Filter (strainer) module		M2 *)		M4
ICFE/ICFE SS	Solenoid valve module			M3	
ICFC/ICFC SS	Check valve module				M4
ICFN / ICFN SS	Stop/check valve module				M4
ICM/ICM SS	Motor valve module	M1		M3	
ICFB/ICFB SS	Blank top cover	M1	M2	M3	M4
ICFA/ICFA SS	Electronic expansion valve module (not for ICF 25)	M1		M3	
ICFE 20H/ICFE SS 20H	Solenoid valve module (not for ICF 25)	M1		M3	
ICFO/ICFO SS	Manual opening module (not for ICF 25)				M4
ICFW/ICFW SS	Welding module	M1	M2	M3	M4
ICFD	Defrost module		M2		M4

ICF with six modules

Function	Module Type	Can be installed in these locations					
ICFS/ICFS SS	Stop valve module	M1	M2	M3	M4	M5	M6
ICFR/ICFR SS	Manual regulating valve module	M1	M2	M3	M4	M5	M6
ICFF/ICFF SS	Filter (strainer) module		M2		M4		M6
ICFE/ICFE SS	Solenoid valve module			M3			
ICFC/ICFC SS	Check valve module				M4		M6
ICFN / ICFN SS	Stop/check valve module				M4		M6
ICM/ICM SS	Motor valve module	M1		M3		M5	
ICFB/ICFB SS	Blank top cover	M1	M2	M3	M4	M5	M6
ICFA/ICFA SS	Electronic expansion valve module (not for ICF 25)	M1		M3		M5	
ICFE 20H/ICFE SS 20H	Solenoid valve module (not for ICF 25)	M1		M3		M5	
ICFO/ICFO SS	Manual opening module (not for ICF 25)				M4		
ICFW/ICFW SS	Welding module	M1	M2	M3	M4	M5	M6
ICFD	Defrost module		M2		M4		M6

Module locations are indicated by M1, M2, M3, M4, M5 and M6. With respect to refrigerant flow, M1 is closest to inlet.

location not possible

*) ICF 15 - M1 and M2 modules are fixed (stop valve and filter, respectively)

Use only original Danfoss parts, including O-rings and gaskets for replacement.
Materials of new parts are certified for the relevant refrigerant.
In cases of doubt, please contact Danfoss.

DEUTSCH

Kältemittel

Anwendbar für HFCKW, nicht brennbare FKW, R717 (Ammoniak) und R744 (CO₂).

Ausnahme:

Das ICFD ist nur für Ammoniak und CO₂ zugelassen

ICFD 20 = Ammoniak-Version

ICFD 20C = CO₂-Version

Der Einsatz von ICF-Ventilstationen mit brennbaren Kohlenwasserstoffen wird nicht empfohlen.

Die ICF-Ventilstation ist nur für die Verwendung in geschlossenen Kreisläufen vorgesehen. Für weitere Informationen wenden Sie sich bitte an Danfoss.

Temperaturbereich

Die ICF im Allgemeinen:

-60/+120 °C (-76/+248 °F)

ICFD 20: -50/+50 °C (-58/+122 °F) bei 28 bar g (406 psi g)

ICFD 20C: -50/+50 °C (-58/+122 °F) bei 52 bar g (754 psi g)

Druckbereich

Die allgemeine ICF ist ausgelegt auf:

Max. Betriebsdruck: 52 bar g (754 psi g)

ICFD 20 (Ammoniak):

Für eine ICF-Ventilstation mit einem ICFD-Modul beträgt der maximal zulässige Betriebsdruck 28 bar g/406 psi g. Wenn ein ICFD 20-Modul in einer Kälteanlage verbaut wurde, darf der Prüfdruck 28 bar g/406 psi g nicht überschreiten. Dies gilt jedoch nicht, wenn das ICFD zu Prüfzwecken vorübergehend demontiert wird. Siehe Abb. 11.

ICFD 20C (CO₂):

Für eine ICF-Ventilstation mit einem ICFD 20C-Modul beträgt der maximal zulässige Betriebsdruck 52 bar g/754 psi g. Wenn ein ICFD 20C-Modul in einer Kälteanlage verbaut wurde, darf der Prüfdruck 52 bar g/754 psi g nicht überschreiten. Dies gilt jedoch nicht, wenn das ICFD 20C zu Prüfzwecken vorübergehend demontiert wird. Siehe Abb. 11.

Anwendung

Die ICF-Ventilstation kann in Saug-, Flüssigkeits-, Heißgas- und Pumpenrücklaufleitungen verwendet werden. Sie ist mit vier oder sechs Funktionsmodulen erhältlich. Die ICF-Ventilstation regelt den Mediendurchfluss modulierend oder On-/OFF, in Abhängigkeit der in der ICF eingebauten Funktionsmodule.

Regelbereich

Der Regelbereich ist abhängig vom ausgewählten Typ und der im Ventil eingebauten Module.

Installation (Abb. 1)

Die ICF-Ventilstation muss gemäß Abb. 1. eingebaut werden. Sie ist so einzubauen, dass der Pfeil in die Durchflussrichtung zeigt.

Die ICM- und ICFD-Module müssen so eingebaut werden, dass das Modul horizontal ausgerichtet ist.

Die ICF-Ventilstation wird komplett montiert mit allen Funktionsmodulen geliefert. Die

Module können zur Wartung oder Überprüfung entnommen und bei der Installation 4 x 90 ° auf dem Ventilgehäuse gedreht werden. Bitte stellen Sie sicher, dass nach dem Einbau auf jeder Seite des ICFD-Moduls noch ausreichend Platz für weitere Module ist.

Die ICF-Ventilstation kann mit einer Spindel für das manuelle Öffnen des Magnetventils ausgestattet sein.

Die ICF-Ventilstation kann einem hohen internen Druck standhalten. In jedem Fall muss das Leitungssystem so konstruiert werden, dass Flüssigkeitseinschlüsse verhindert werden und das Risiko von hydraulischem Druck durch Wärmeausdehnungen ausgeschlossen wird.

Stellen Sie sicher, dass die ICF-Ventilstation vor Druckspitzen wie Flüssigkeitsschlägen in der Anlage geschützt ist.

Schweißerarbeiten (Abb. 2 und 3)

Zum Schweißen der ICF-Ventilstation kann Wolfram- (WIG) bzw. Metall-Inertgas-Schweißen (MIG) bzw. Lichtbogenschweißen mit Mantelelektrode (SMAW) (Abb. 2) oder Autogenschweißen (Abb. 3) angewendet werden. Stellen Sie sicher, dass die Schutzkappen des Ein- und Austritts bis zur endgültigen Installation immer auf dem Ventil verbleiben, um Rostbildung in der Ventilstation zu vermeiden.

WIG-/MIG-/SMAW-Schweißen

Es ist nicht erforderlich, die Funktionsmodule vor dem WIG-/MIG-/SMAW-Schweißen (Abb. 2) zu entfernen. Bei einer normalen Wärmeeinwirkung kann zudem auf eine zusätzliche Kühlung verzichtet werden.

Zum Vermeiden von Schweißspritzern müssen alle erforderlichen Sicherheitsvorkehrungen getroffen werden.

Bei ICF-Ventilstationen mit einem Absperrventil im ersten Modul (M1) und einem Absperr-/Regelventil oder einem Absperr-/Rückschlagventil im letzten Modul (M4 oder M6) wird empfohlen, diese Ventile leicht zu öffnen (ungefähr eine Umdrehung ab der geschlossenen Position), um beim Schweißen die Wärmeeinwirkung auf die Teflonsitze zu verringern.

Nach dem Erkalten der Schweißerarbeiten wird empfohlen, diese Ventile erneut zu schließen. Dadurch wird verhindert, dass Gase durchströmen können. Halten Sie die Ventile geschlossen, bis die Anlage betriebsbereit ist. Alle anderen Ventilmodule können in jeder Position die normale Wärmeeinwirkung beim Schweißen kompensieren und erfordern keine besonderen Maßnahmen.

Autogenschweißen

Entfernen Sie vor dem Schweißen (Abb. 3) alle Funktionsmodule. Bei einer normalen Wärmeeinwirkung ist keine zusätzliche Kühlung erforderlich.

Zum Vermeiden von Schweißspritzern müssen alle erforderlichen Sicherheitsvorkehrungen getroffen werden.

Reinigen Sie nach dem Schweißen das Ventilinnere von Schweißspritzern und -rückständen. Es wird empfohlen, direkt nach dem Erkalten der Schweißerarbeiten die handbetriebenen Module M1 und M4/M6 wieder einzusetzen und zu schließen, um das Innere des Ventils zu schützen, bis die Anlage betriebsbereit ist. Falls das Ventil nicht sofort montiert wird, streichen Sie Rostschutzöl auf die inneren Flächen.

Das Gehäuse muss nach der Installation spannungsfrei sein (keine äußeren Lasten). Die ICF-Ventilstation darf nicht in Anlagen verwendet werden, bei denen die Austrittsseite der ICF zur Atmosphäre offen ist. Die Austrittsseite der ICF-Ventilstation muss immer an die Anlage angeschlossen oder ordnungsgemäß abgedeckt sein, z. B. mit einer angeschweißten Endplatte.

Oberflächenschutz und Identifikation (gilt nicht für SS-Versionen)

Die äußere Oberfläche ist zinkchromatiert, um gemäß DIN EN 12284:2003 8.13 den Korrosionsschutz sicherzustellen. Die Zinkchromatierung deckt nicht die Schweißverbindungen ab. Nach abgeschlossener Installation muss die äußere Oberfläche des Ventils mit einer geeigneten Beschichtung vor Korrosion geschützt werden. Beim Anstrich der ICF-Ventilstation wird empfohlen, die Identifizierungskennzeichnung abzudecken.

Die genaue Identifikation der vier bis sechs ICF-Funktionsmodule erfolgt über die Identifizierungskennzeichnung.

Instandhaltung (Abb. 4)



Kohlenstoffstahlteile und Edelstahlteile dürfen nicht verwechselt werden.

Wartung

Die ICF-Ventilstation ist einfach zu warten. Sie darf nicht geöffnet werden, wenn sie noch unter Druck steht.

Folgendes ist zu überprüfen, nachdem Sie das Funktionsmodul geöffnet und entnommen haben:

- Überprüfen Sie, ob die Flachdichtungen und/oder O-Ringe zwischen dem Funktionsmodul und dem Gehäuse sowie die O-Ringe auf dem Funktionsmodul beschädigt wurden. Ersetzen Sie die Flachdichtungen und O-Ringe, wenn dies der Fall ist.

Ein Funktionsmodul mit einer beschädigten Dichtung bzw. einem beschädigten O-Ring kann nicht ordnungsgemäß arbeiten.

Gummidichtungen sind in der ICF 15 im Modul M1/M2 und in der ICF 25/ICF SS 25 in allen Modulen vorhanden.

O-Ringe sind an diesen Einbaustellen vorhanden: (siehe Abb. 4a, 4b)
ICF 15: Ein Gummidichtung im Modul M3 bzw. M4 und zwei O-Ringe im ICM-Modul.
ICF 25/ICF SS 25: Zwei O-Ringe in den ICM- und ICFE-Modulen.



CO₂-Anwendungen

Beim Einsatz in CO₂-Anlagen können die O-Ringe (siehe Abb. 4a und 4b) aufquellen (wachsen).

Bei der Wartung empfiehlt es sich, die verwendeten O-Ringe vor dem erneuten Einbau der Funktionsmodule im ICF-Ventilgehäuse zu ersetzen.

Abtaumodul ICFD 20C für CO₂: Stellen Sie sicher, dass das Modul vom Typ ICFD 20C ist

DEUTSCH

- Überprüfen Sie, ob der Kolben und der Zylinder frei von Kratzern ist und achten Sie auf Verschleißerscheinungen. Wenn Sie einen übermäßigen Verschleiß festgestellt haben, sollten Sie das Funktionsmodul ersetzen.
- Überprüfen Sie, ob sich Zylinder und Ventil Sitz frei und mit geringer Reibung bewegen.
- Wenn die Teflon-Ventilplatte beschädigt wurde, muss das Funktionsmodul ausgetauscht werden.
- Vergewissern Sie sich bei den Motorventilmodulen ICM 20, dass der PEEK-Sitz nicht beschädigt oder zerkratzt wurde. Wenn er beschädigt oder zerkratzt ist, müssen Sie den PEEK-Sitz ersetzen (Allen key 12 mm, torque 2 Nm (1.5 ft lb)).

Montage

Reinigen Sie das Gehäuse, bevor die ICF-Ventilstation zusammengebaut wird.

- Stellen Sie sicher, dass alle Kanäle in der ICF-Ventilstation frei von Schmutz oder Ähnlichem sind.
Tragen Sie, wenn möglich, etwas Kältemaschinenöl auf, um den Einsatz der Module zu erleichtern und die O-Ringe zu schützen.

Festziehen (Abb. 5, 6 und 7)

Ziehen Sie die Funktionsmodul-Deckel mit einem Drehmomentschlüssel an, gemäß den Werten, die in der Tabelle angegeben sind (siehe Abb. 5).

Handbetätigung (Abb. 6 bis 8) ICF 15, ICF 20, ICF SS 20 (Abb. 6a und 6b)

- ICFS/ICFS SS – Absperrventilmodul
 - ICFR/ICFR SS – Handregelventilmodul
 - ICFN/ICFN SS – Absperr-/Rückschlagventilmodul
 - ICFO/ICFO SS – Handöffnungsmodul
- Stellen Sie vor der erneuten Montage der Kappe auf die Module ICFS/ICFS SS (Absperrventilmodul), ICFR/ICFR SS (Handregelventilmodul) und ICFN/ICFN SS (Absperr-/Rückschlagventilmodul) sicher, dass in der Kappe eine Dichtung vorhanden ist. Ziehen Sie die Kappe mit 16 Nm (12 ft lbs) fest.

ICF 25, ICF SS 25 (siehe Abb. 7a)

- ICFS/ICFS SS – Absperrventilmodul
 - ICFR/ICFR SS – Handregelventilmodul
 - ICFN/ICFN SS – Absperr-/Rückschlagventilmodul
 - ICFE/ICFE SS – Handöffnungsmodul
- Stellen Sie vor der erneuten Montage der Kappe auf die Module ICFS/ICFS SS (Absperrventilmodul), ICFR/ICFR SS (Handregelventilmodul) und ICFN/ICFN SS (Absperr-/Rückschlagventilmodul) sicher, dass in der Kappe eine Dichtung vorhanden ist. Ziehen Sie die Kappe mit 24 Nm (18 ft lbs) fest.

Spindelabdichtungseinheit (ICFE/ICFE SS) (siehe Abb. 7b):

Wenn die Spindelabdichtungseinheit leckt, ziehen Sie sie vorsichtig mit einem Schraubenschlüssel fest. Wenden Sie nicht zu viel Kraft auf.

Danfoss empfiehlt, dass Sie die Spindelabdichtungseinheit schrittweise

festziehen. Prüfen Sie bei jeder Umdrehung mögliche Undichtigkeiten.

Handbetätigung des ICFE 25/ICFE SS 25 (siehe Abb. 8a):

Um das Magnetventilmodul mittels Handbetätigung zu öffnen, drehen Sie selbige **gegen den Uhrzeigersinn** vollständig nach oben. (Handbetrieb)

Um das Magnetventilmodul im Automatikbetrieb zu betreiben, drehen Sie die Handbetätigung **im Uhrzeigersinn**, bis der Verschlussring stoppt.

Drehen Sie die Spindel nicht gewaltsam weiter. Wenn der Verschlussring beschädigt ist oder entfernt wurde, fängt die Spindel an zu lecken.

Das Ventil kann nicht durch mittels Handbetätigung zwangsweise geschlossen werden.

Handbetätigung am Magnetventilmodul ICFE 20H/ICFE SS 20H (siehe Abb. 8b):

Entfernen Sie die Kappe auf der Seite des ICFE 20H/ICFE SS 20H.

Auf der 9-Uhr-Position ist der manuelle Öffner deaktiviert (nicht aktiv).

Um das Magnetventilmodul ICFE 20H/ICFE SS 20H zu öffnen, verwenden Sie einen 5-mm-Inbusschlüssel und drehen Sie ihn im Uhrzeigersinn auf die 3-Uhr-Position.

ICFD-Abtaumodul

Transportschutz

Entfernen Sie nach dem Transport den Sicherungsstift (Pos. 1 in Abb. 10). Setzen Sie die am Ventil befestigte Ablassschraube mit Aluminiumdichtung (Pos. 2 in Abb. 10) ein und ziehen Sie sie mit dem angegebenen Drehmoment fest.

Maximaler Prüfdruck

Falls der Prüfdruck des Systems folgende Werte überschreiten muss:

ICFD 20 (Ammoniak): 28 bar g / 406 psi g
ICFD 20C (CO₂): 52 bar g / 754 psi g
ist das ICFD-Modul wie in Abb. 11 gezeigt vorzubereiten:

1. Lösen Sie die sechs Deckelschrauben und demontieren Sie das Schwimmergehäuse.
- 2.+3. Scharuben Sie die Schwimmer-Baugruppe ab mit einem schraubenschlüssel AF 4mm an den dafür vorgesehenen Abflachungen an der Schwimmerstange.
Achtung: Nicht an der Schwimmerkugel drehen, nicht die Schwimmerkugel von der Stange abschrauben!
4. Montieren Sie das Schwimmergehäuse wieder und ziehen Sie die sechs Deckelschrauben mit dem in Abb. 10 angegebenen Drehmoment fest.
5. Prüfung mit einem Systemdruck über: ICFD 20 (Ammoniak): 28 bar g / 406 psi g ICFD 20C (CO₂): 52 bar g / 754 psi g
6. Montieren Sie die Schwimmer-Baugruppe wieder durch drehen der Schwimmerstange mit einem AF 4mm Scharubenschlüssel an den dafür vorgesehenen Abflachungen an der Stange.
Nicht die Schwimmerkugel zum drehen benutzen!
7. Montieren Sie das Schwimmergehäuse wieder und ziehen Sie die sechs

Deckelschrauben mit dem in Abb. 10 angegebenen Drehmoment fest. Es wird empfohlen, die Dichtung des Schwimmergehäuses nach diesem mehrmaligen Zusammenpressen durch eine neue zu ersetzen.

Betätigung des manuellen Schachts auf dem ICFD-Abtaumodul (siehe Abb. 12)

Entfernen Sie die Kappe auf der Seite des ICFD-Moduls (Pos. **A** in Abb. 10). In der 9-Uhr-Position ist der manuelle Öffner deaktiviert (A = Automatikbetrieb). Um das ICFD-Modul zwangsweise zu öffnen, verwenden Sie einen 5-mm-Inbusschlüssel und drehen Sie ihn im Uhrzeigersinn etwa auf die 2-Uhr-Position bis zum Anschlag (M= Hand offen).

Immer von Hand offen Stellung zurueck in A = Automatik Betrieb drehen für normalen Betrieb.

Montieren Sie die Kappe A (Fig.10) und ziehen sie mit einem Drehmoment von 80 Nm (59 ft lbs) fest.

Aludichtung der Deckeldichtung ist nach anziehen mit 80Nm bei abermaligem oeffener auszutauschen.

DEUTSCH

Moduleinbauort (Abb. 9a, 9b, 9c)

ICF-Ventilstation mit vier Modulen

Funktionsmodultyp		Für diese Einbauorte geeignet			
ICFS/ICFS SS	Absperrventilmodul	M1 *)	M2	M3	M4
ICFR/ICFR SS	Handregelventilmodul	M1	M2	M3	M4
ICFF/ICFF SS	Filtermodul		M2 *)		M4
ICFE/ICFE SS	Magnetventilmodul			M3	
ICFC/ICFC SS	Rückschlagventilmodul				M4
ICFN / ICFN SS	Absperr-/Rückschlagventilmodul				M4
ICM/ICM SS	Motorventilmodul	M1		M3	
ICFB/ICFB SS	Blinddeckel	M1	M2	M3	M4
ICFA/ICFA SS	Elektronisches Expansionsventilmodul (nicht für ICF 25)	M1		M3	
ICFE 20H/ICFE SS 20H	Magnetventilmodul (nicht für ICF 25)	M1		M3	
ICFO/ICFO SS	Handöffnungsmodul (nicht für ICF 25)				M4
ICFW/ICFW SS	Schweißmodul	M1	M2	M3	M4
ICFD	Abtaumodul		M2		M4

ICF-Ventilstation mit sechs Modulen

Funktionsmodultyp		Für diese Einbauorte geeignet					
ICFS/ICFS SS	Absperrventilmodul	M1	M2	M3	M4	M5	M6
ICFR/ICFR SS	Handregelventilmodul	M1	M2	M3	M4	M5	M6
ICFF/ICFF SS	Filtermodul		M2		M4		M6
ICFE/ICFE SS	Magnetventilmodul			M3			
ICFC/ICFC SS	Rückschlagventilmodul				M4		M6
ICFN / ICFN SS	Absperr-/Rückschlagventilmodul				M4		M6
ICM/ICM SS	Motorventilmodul	M1		M3		M5	
ICFB/ICFB SS	Blinddeckel	M1	M2	M3	M4	M5	M6
ICFA/ICFA SS	Elektronisches Expansionsventilmodul (nicht für ICF 25)	M1		M3		M5	
ICFE 20H/ICFE SS 20H	Magnetventilmodul (nicht für ICF 25)	M1		M3		M5	
ICFO/ICFO SS	Handöffnungsmodul (nicht für ICF 25)				M4		
ICFW/ICFW SS	Schweißmodul	M1	M2	M3	M4	M5	M6
ICFD	Abtaumodul		M2		M4		M6

Moduleinbauorte werden durch M1, M2, M3, M4, M5 und M6 gekennzeichnet. In Bezug auf den Kältemittelfluss ist M1 dem Eintritt am nächsten.

Einbauort nicht möglich

*) Die Module M1 und M2 der ICF 15 sind fest (Absperrventil bzw. Filter)

Benutzen Sie für den Austausch nur Originalteile von Danfoss, einschließlich O-Ringe und Dichtungen. Die Werkstoffe der neuen Komponenten sind für das entsprechende Kältemittel zertifiziert. Im Zweifelsfall wenden Sie sich bitte an Danfoss.

FRANÇAIS

Fluides frigorigènes

Convient aux fluides frigorigènes HCFC, HFC ininflammables, R717 (ammoniac) et R744 (CO₂).

Exceptions :

L'ICFD est spécialement conçu pour l'ammoniac et le CO₂

ICFD 20 = version ammoniac

ICFD 20C = version CO₂

L'utilisation de stations de vannes ICF avec des hydrocarbures inflammables n'est pas recommandée.

L'ICF est recommandée uniquement pour une utilisation en circuits fermés. Merci de contacter Danfoss pour de plus amples informations.

Plage de température

Solution ICF générale :

-60/+120 °C (-76/+248 °F)

ICFD 20 : -50/+50 °C (-58/+122 °F) à 28 bar g (406 psi g)

ICFD 20C : -50/+50 °C (-58/+122 °F) à 52 bar g (754 psi g)

Plage de pressions

La solution ICF générale est conçue pour : Pression de service max. : 52 bar g (754 psi g).

ICFD 20 (ammoniac) :

Pour les ICF comportant un module ICFD, la pression max. de service est de 28 bar g (406 psi g). Si le système de réfrigération inclut un module ICFD 20, la pression de test du système ne peut pas dépasser 28 bar g (406 psi g), sauf si le flotteur ICFD est temporairement retiré avant le test. Voir Fig. 11.

ICFD 20C (CO₂) :

Pour les ICF comportant un module ICFD 20C, la pression max. de service est de 52 bar g (754 psi g). Si le système de réfrigération inclut un module ICFD 20C, la pression de test du système ne peut pas dépasser 52 bar g (754 psi g), sauf si le flotteur ICFD 20C est temporairement retiré avant le test. Voir Fig. 11.

Application

L'ICF peut être utilisée sur les conduites d'aspiration, de liquide, de gaz chaud et de liquide/vapeur. L'ICF est disponible avec 4 ou 6 modules fonctionnels. L'ICF régule le débit du fluide par modulation ou tout ou rien, selon les modules fonctionnels installés dans l'ICF.

Plage de régulation

Dépend du type choisi et de la combinaison de modules installés dans la vanne.

Installation (fig. 1)

L'ICF doit être installée conformément à la fig. 1. L'ICF doit être installée avec la flèche dans le sens de la circulation du fluide.

Les modules ICM et ICFD nécessitent une orientation horizontale de la vanne.

L'ICF est fournie avec tous les modules fonctionnels entièrement assemblés. Les modules peuvent être retirés pour entretien

ou inspection et peuvent être tournés de 4 fois 90° par rapport au corps de vanne lors de l'installation. Assurez-vous que la position de l'ICFD garantit un espace suffisant pour les modules de chaque côté de l'ICFD.

L'ICF peut être munie d'une tige pour l'ouverture manuelle de l'électrovanne.

L'ICF est conçue pour résister à une pression interne élevée. Toutefois, la tuyauterie doit être conçue pour éviter les pièges à liquide et réduire le risque de pression hydraulique causée par la dilatation thermique.

Veillez à ce que l'ICF soit protégée des variations de pression (« coups de béliers ») au sein du circuit.

Soudage (fig. 2 et 3)

La station de vannes ICF peut être soudée en utilisant un système de soudure type TIG/MIG/SAW (fig. 2) ou d'une soudure au gaz (fig. 3).

Toujours garder les capuchons de protection sur l'entrée et la sortie de la vanne jusqu'à ce qu'elle soit prête à être installée ceci afin de prévenir la formation de rouille à l'intérieur de la station de vanne.

Soudage TIG/MIG/SAW

Il n'est pas nécessaire de retirer l'un des modules fonctionnels avant le soudage TIG/MIG/SAW (fig. 2) ; un refroidissement auxiliaire est inutile en cas de choc thermique normal.

Il convient de prendre toutes les précautions nécessaires pour minimiser les éclaboussures de soudure.

Pour les stations de vannes ICF équipées d'une vanne d'arrêt dans le premier module (M1) et d'une vanne d'arrêt, de régulation ou d'arrêt/clapet dans le dernier module (M4 ou M6), il est recommandé de légèrement ouvrir les vannes (env. 1 tour depuis la position fermée) afin de minimiser le choc thermique de soudage au niveau des sièges en Téflon.

Après soudage, il est recommandé de refermer ces vannes pour éviter d'éventuels passages de gaz et de les maintenir fermées jusqu'à ce que le système soit prêt à fonctionner. Tous les autres modules pour vannes sont capables, et ce dans n'importe quelle position du module, de compenser le choc thermique de soudage normal et ne nécessitent aucune attention particulière.

Soudure au gaz

Retirez tous les inserts avant le soudage (fig. 3). Un refroidissement auxiliaire est inutile en cas de choc thermique normal.

Il convient de prendre toutes les précautions nécessaires pour minimiser les éclaboussures de soudure.

Après le soudage, nettoyez l'intérieur de la vanne pour éliminer les éclaboussures et les débris de soudure.

Il est recommandé de réinstaller les modules juste après le soudage et de fermer les modules manuels M1 et M4/M6 afin de protéger l'intérieur de la vanne jusqu'à ce que le système soit prêt à fonctionner. Si la vanne n'est pas montée immédiatement, veillez à appliquer de l'huile de protection contre la rouille sur les surfaces intérieures.

Le boîtier doit être exempt de contraintes (charges externes) après l'installation. L'ICF ne doit pas être montée dans des systèmes où le côté sortie de l'ICF est ouvert à l'atmosphère.

Le côté sortie de l'ICF doit toujours être raccordé au système ou correctement couvert, par exemple à l'aide d'un embout soudé.

Protection de surface et identification (non applicable aux versions en inox - versions SS)

La surface externe fait l'objet d'un traitement (chromage au zinc) assurant une protection contre la corrosion conforme à la norme EN 12284:2003 8.13. Le chromage au zinc ne couvre pas les raccords à souder. Une fois l'installation terminée, la surface externe de la vanne doit être protégée de la corrosion à l'aide d'un revêtement adéquat. Il est recommandé de couvrir l'étiquette d'identification lors de la peinture de l'ICF.

L'étiquette d'identification sur chacun des 4 ou 6 modules fonctionnels permet d'identifier précisément l'ICF.

Maintenance (fig. 4)



Ne pas mélanger des pièces en acier au carbone à des pièces en acier inoxydable.

Entretien

Les stations de vannes ICF sont faciles à entretenir. N'ouvrez pas l'ICF lorsqu'elle est encore sous pression.

Lors de l'ouverture et du retrait des modules fonctionnels :

- Vérifiez que les joints d'étanchéité plats et/ou les joints toriques situés entre le module fonctionnel et le boîtier, ainsi que les joints toriques situés sur le module fonctionnel, ne sont pas endommagés. Remplacez les joints plats et les joints toriques altérés.

Une vanne dont les joints toriques ou les joints plats sont endommagés risque de ne pas moduler conformément à ses spécifications.

Les joints d'étanchéité plats sont présents dans les modules M1/M2 de l'ICF 15 et dans tous les modules de l'ICF 25/ICF SS 25.

Joints en caoutchouc sont présents aux emplacements suivants : (voir fig. 4a, 4b) ICF 15 : 1 Joint en caoutchouc dans chaque module M3/M4 et 2 joints toriques dans le module ICM.

ICF 20/ICF SS 20 : 1 Joint en caoutchouc dans tous les modules et 2 joints toriques dans le module ICM.



Applications au CO₂

Les joints toriques utilisés dans les systèmes au CO₂ (voir fig. 4a et 4b) peuvent gonfler (augmenter).

Il est donc recommandé, lors de l'entretien, de remplacer le nombre réel de joints toriques utilisés avant de réinstaller les modules fonctionnels dans le corps de vanne ICF.

Module de dégivrage ICFD 20C pour CO₂ : Vérifier que le module est de type ICFD 20 C

FRANÇAIS

- Vérifier que le piston et le cylindre sont exempts de rayures et qu'ils ne comportent pas de traces d'usure. En cas d'usure excessive, remplacer le module fonctionnel pour éviter que des signaux pilotes erronés ne se produisent au niveau de la bague du piston.
- Vérifier que le cylindre et le siège de vanne sont bien mobiles et qu'ils ne sont pas entravés par un frottement excessif.
- Si la plaque de vanne en téflon est endommagée, vous devez remplacer le module fonctionnel.
- Sur les modules pour vannes motorisées ICM 20, vérifiez que le siège PEEK n'est ni endommagé, ni rayé. S'il est endommagé ou rayé, remplacez-le. (Allen key 12 mm, torque 2 Nm (1.5 ft lb)).

Assemblage

Avant l'assemblage de l'ICF, retirez toute impureté présente dans le boîtier.

- Vérifiez que chaque canal de l'ICF est exempt d'impuretés ou de débris. Si possible, appliquez un peu d'huile de réfrigération pour faciliter l'insertion des modules et protéger les joints toriques.

Serrage (fig. 5, 6 et 7)

Serrez le couvercle d'extrémité à l'aide d'une clé dynamométrique, conformément aux valeurs indiquées dans le tableau (fig. 5).

Utilisation de la tige manuelle (fig. 6 à 8)

ICF 15, ICF 20, ICF SS 20 (fig. 6A et 6b)

- ICFS/ICFS SS : module vanne d'arrêt
 - ICFR/ICFR SS : module vanne de régulation manuelle
 - ICFN/ICFN SS : module vanne d'arrêt/clapet
 - ICFO/ICFO SS : module d'ouverture manuelle
- Avant de remonter le capuchon sur les modules ICFS/ICFS SS (module vanne d'arrêt), ICFR/ICFR SS (module vanne de régulation manuelle) ou ICFN/ICFN SS (module vanne d'arrêt/clapet), veuillez vous assurer que le joint d'étanchéité est présent dans le capuchon. Serrez ensuite le capuchon au couple de 16 Nm (12 lb ft).

ICF 25, ICF SS 25 (voir fig. 7A)

- ICFS/ICFS SS : module vanne d'arrêt
 - ICFR/ICFR SS : module vanne de régulation manuelle
 - ICFN/ICFN SS : module vanne d'arrêt/clapet
 - ICFE/ICFE SS : module d'ouverture manuelle
- Avant de remonter le capuchon sur les modules ICFS/ICFS SS (module vanne d'arrêt), ICFR/ICFR SS (module vanne de régulation manuelle) ou ICFN/ICFN SS (module pour vanne d'arrêt/clapet), veuillez vous assurer que le joint d'étanchéité est présent dans le capuchon. Serrez ensuite le capuchon au couple de 24 Nm (18 lb ft).

Presse-étoupe (ICFE/ICFE SS) (voir fig. 7b) : Si le presse-étoupe fuit, serrez-le soigneusement avec une clé. N'appliquez pas une force excessive. Danfoss recommande de serrer le presse-étoupe par étapes. À chaque tour, vérifiez si la fuite est stoppée.

Utilisation de la tige manuelle sur le module électrovanne ICFE 25/ICFE SS 25 (voir fig. 8a) :

Pour forcer l'ouverture de l'électrovanne au moyen de la tige manuelle, tournez celle-ci à fond vers le haut, dans le **sens inverse des aiguilles d'une montre**. (Mode manuel)

Pour utiliser l'électrovanne en mode automatique, tournez la tige manuelle dans le **sens des aiguilles d'une montre** jusqu'à ce que l'anneau de blocage s'arrête.

Ne forcez pas la tige plus loin. Si l'anneau de blocage est endommagé ou retiré, la tige commence à fuir.

Il est impossible de forcer la fermeture de la vanne au moyen de la tige manuelle.

Utilisation de la tige manuelle sur le module électrovanne ICFE 20H/ICFE SS 20H (voir fig. 8b)

Retirez le capuchon situé sur le côté de l'ICFE 20H/ICFE SS 20H

En position 9 h, l'ouverture manuelle est désactivée.

Pour forcer l'ouverture de l'électrovanne l'ICFE 20H/ICFE SS 20H, utilisez une clé allen de 5 mm et faites-la tourner dans le sens des aiguilles d'une montre jusqu'à la position 3 h.

Module de dégivrage ICFD

Protection de transport

Retirez le dispositif de sécurité de transport (pos. 1, fig. 10). Insérez le connecteur de purge et le joint alu fixés à la vanne (pos. 2, fig. 10) et serrez au couple indiqué.

Pression de test maximum

Si la pression de test du système doit dépasser :

ICFD 20 (ammoniac) : 28 bar g (406 psi g) ;

ICFD 20C (CO₂) : 52 bar g (754 psi g) ;

il est nécessaire de préparer le module ICFD comme illustré à la Fig. 11 :

1. Dévissez les 6 boulons de bride et retirez le boîtier du flotteur.
- 2+3 Dévisser et retirer le levier avec le flotteur en utilisant une clé A/F 4mm. **Attention:** le flotteur et le levier ne doivent pas être desserrés et ne pas tourner le flotteur pour le démontage.
4. Remontez le boîtier du flotteur et serrez les 6 boulons de bride au couple indiqué à la fig. 10
5. Effectuer un test avec une pression de système supérieure à :
ICFD 20 (ammoniac) : 28 bar g (406 psi g) ;
ICFD 20C (CO₂) : 52 bar g (754 psi g) ;

6. Reinstaller le levier et flotteur ensemble en utilisant une clé A/F 4mm. Ne pas utiliser le flotteur pour serrer.
7. Remontez le boîtier du flotteur et serrez les 6 boulons de bride au couple indiqué à la fig. 10

Il est recommandé de remplacer le joint du boîtier du flotteur par un joint neuf après cette compression répétée.

Utilisation de la tige manuelle sur le module de dégivrage ICFD (voir fig. 12)

Retirez le capuchon situé sur le côté de l'ICFD (pos. A, fig. 10).

En position 9 h, l'ouverture manuelle est désactivée (A = mode automatique).

Pour forcer l'ouverture de l'ICFD, utilisez une clé Allen de 5 mm et faites-la tourner dans le sens des aiguilles d'une montre jusqu'à la position 2 h env. Jusqu'à ce qu'il atteigne l'arrêt mécanique (M = mode d'ouverture manuelle).

Toujours remettre l'ouverture manuelle sur automatique pour un fonctionnement normal.

Remontez le capuchon A illustré à la fig. 10 et serrez au couple de 80 Nm (59 lb ft).

Il est recommandé de remplacer le joint Alu si d'autres ouvertures du capuchon sont nécessaires.

FRANÇAIS

Emplacement des modules (fig. 9a, 9b, 9c)

ICF avec quatre modules

Type de module fonctionnel	À installer aux emplacements suivants				
ICFS/ICFS SS	Module vanne d'arrêt	M1 *)	M2	M3	M4
ICFR/ICFR SS	Module vanne de régulation manuelle	M1	M2	M3	M4
ICFF/ICFF SS	Module filtre		M2 *)		M4
ICFE/ICFE SS	Module électrovanne			M3	
ICFC/ICFC SS	Module clapet antiretour				M4
ICFN/ICFN SS	Module vanne d'arrêt/clapet				M4
ICM/ICM SS	Module vanne motorisée	M1		M3	
ICFB/ICFB SS	Couvercle d'extrémité vide	M1	M2	M3	M4
ICFA/ICFA SS	Module détendeur électronique (sauf ICF 25)	M1		M3	
ICFE 20H/ICFE SS 20H	Module électrovanne (sauf ICF 25)	M1		M3	
ICFO/ICFO SS	Module d'ouverture manuelle (sauf ICF 25)				M4
ICFW/ICFW SS	Module à souder	M1	M2	M3	M4
ICFD	Module de dégivrage		M2		M4

ICF avec six modules

Type de module fonctionnel	À installer aux emplacements suivants						
ICFS/ICFS SS	Module vanne d'arrêt	M1	M2	M3	M4	M5	M6
ICFR/ICFR SS	Module vanne de régulation manuelle	M1	M2	M3	M4	M5	M6
ICFF/ICFF SS	Module filtre		M2		M4		M6
ICFE/ICFE SS	Module électrovanne			M3			
ICFC/ICFC SS	Module clapet antiretour				M4		M6
ICFN/ICFN SS	Module vanne d'arrêt/clapet				M4		M6
ICM/ICM SS	Module vanne motorisée	M1		M3		M5	
ICFB/ICFB SS	Couvercle d'extrémité vide	M1	M2	M3	M4	M5	M6
ICFA/ICFA SS	Module détendeur électronique (sauf ICF 25)	M1		M3		M5	
ICFE 20H/ICFE SS 20H	Module électrovanne (sauf ICF 25)	M1		M3		M5	
ICFO/ICFO SS	Module d'ouverture manuelle (sauf ICF 25)				M4		
ICFW/ICFW SS	Module à souder	M1	M2	M3	M4	M5	M6
ICFD	Module de dégivrage		M2		M4		M6

Les emplacements de modules sont indiqués par M1, M2, M3, M4, M5 et M6. En ce qui concerne le débit de fluide frigorigène, M1 est le plus proche de l'entrée.

L'emplacement n'est pas disponible

*) ICF 15 : les modules M1 et M2 sont fixes (vanne d'arrêt et filtre, respectivement)

Utilisez exclusivement des pièces de rechange Danfoss d'origine, y compris pour les joints et joints toriques.

Les matériaux des nouvelles pièces sont homologués pour le fluide frigorigène utilisé.

En cas de doute, merci de contacter Danfoss.

ESPAÑOL

Refrigerantes

Estación de válvulas apta para HCFC, HFC no inflamables, R717 (amoníaco) y R744 (CO₂).

Excepción:

El módulo ICFD está diseñado únicamente para amoníaco y CO₂

ICFD 20 = versión de amoníaco

ICFD 20C = versión CO₂

Se desaconseja el uso de las estaciones de válvulas ICF con hidrocarburos inflamables.

Se recomienda usar las estaciones de válvulas ICF exclusivamente en circuitos cerrados. Si desea obtener más información, póngase en contacto con Danfoss.

Rango de temperatura

ICF en general:

-60 a +120 °C (-76 a +248 °F).

ICFD 20: -50/+50 °C (-58/+122 °F) a

28 bar g (406 psi g)

ICFD 20C: -50/+50 °C (-58/+122 °F) a

52 bar g (754 psi g)

Rango de presión

La estación de válvulas ICF general está diseñada para:

Máx. presión de trabajo: 52 bar g (754 psi g).

ICFD 20 (amoníaco):

Para estaciones de válvulas ICF con módulo ICFD, la presión máxima de trabajo es de 28 bar g / 406 psi g. Los sistemas de refrigeración con módulo ICFD 20 no deben someterse a presiones de prueba superiores a 28 bar g / 406 psi g, a menos que el flotador del módulo ICFD se desmonte temporalmente antes de la prueba. Consulte la fig. 11.

ICFD 20C (CO₂):

Para estaciones de válvulas ICF con módulo ICFD 20C, la presión máxima de trabajo es de 52 bar g / 754 psi g. Los sistemas de refrigeración con módulo ICFD 20C no deben someterse a presiones de prueba superiores a 52 bar g / 754 psi g, a menos que el flotador del módulo ICFD 20C se desmonte temporalmente antes de la prueba. Consulte la fig. 11.

Aplicaciones

Las estaciones de válvulas ICF se pueden instalar en líneas de aspiración, líquido, gas caliente y líquido/vapor. Están disponibles con 4 o 6 módulos de función. Su objetivo es regular el caudal del medio por modulación o función ON/OFF, dependiendo de los módulos de función instalados en ellas.

Rango de regulación

El rango de regulación depende del tipo elegido y la combinación de módulos instalada en la válvula.

Instalación (fig. 1)

La estación de válvulas ICF debe instalarse de acuerdo con la fig. 1. La instalación debe tener lugar de modo que la flecha coincida con el sentido de flujo.

Los módulos ICM e ICFD requieren la instalación de la válvula en posición horizontal.

La estación de válvulas ICF se suministra con todos los módulos de función

completamente montados. Los módulos se pueden desmontar para su revisión o inspección y girarse 4 x 90° en relación con el cuerpo de la válvula tras la instalación. Asegúrese de que la posición del módulo ICFD no impida la instalación de otros módulos a ambos lados del mismo.

La estación de válvulas ICF se puede equipar con un vástago para la apertura manual de la válvula solenoide.

La estación de válvulas ICF está diseñada para soportar una presión interna elevada. Sin embargo, el sistema de tuberías debe diseñarse de tal forma que se eviten las acumulaciones de líquido y se reduzca el riesgo asociado a la presión hidráulica generada por la expansión térmica.

Debe garantizarse que la estación de válvulas ICF en cuestión cuente con protección frente a los fenómenos transitorios asociados a la presión que puedan producirse en el sistema (como el conocido "golpe de ariete").

Soldadura (figs. 2 y 3)

Las estaciones de válvulas ICF se pueden soldar aplicando soldadura TIG/MIG/SAW (fig. 2) o soldadura con gas (fig. 3).

Los tapones protectores instalados a la entrada y la salida de la válvula no deben retirarse hasta la instalación definitiva de la misma para impedir la formación de óxido en el interior de la estación de válvulas.

Soldadura TIG/MIG/SAW

No es necesario desmontar ningún módulo de función antes de una soldadura TIG/MIG/SAW (fig. 2) ni aplicar refrigeración auxiliar (siempre que el impacto térmico se mantenga dentro de los niveles normales).

Deben tomarse las precauciones que correspondan para minimizar las salpicaduras de soldadura.

En el caso de las estaciones de válvulas ICF equipadas con una válvula de cierre en el primer módulo (M1) y una válvula de cierre, regulación o cierre/retención en el último módulo (M4 o M6), se recomienda abrirlas ligeramente (1 vuelta desde la posición de cierre, aprox.) para minimizar el impacto del calor generado por la soldadura sobre los asientos de teflón.

Una vez llevada a cabo la soldadura, se recomienda cerrar las válvulas de nuevo para evitar la posible reentrada de los gases, manteniéndolas cerradas hasta que el sistema esté preparado para entrar en funcionamiento. Todos los demás módulos de válvula son capaces, independientemente de su posición, de compensar el impacto del calor generado por una soldadura normal sin que ello precise especial atención.

Soldadura con gas

Desmonte todos los módulos antes de efectuar la soldadura (fig. 3). No se requiere refrigeración auxiliar con niveles de impacto térmico normales.

Deben tomarse las precauciones que correspondan para minimizar las salpicaduras de soldadura.

Tras la soldadura, limpie el interior de la válvula de salpicaduras y residuos de soldadura. Se recomienda volver a instalar los módulos inmediatamente después de la soldadura y cerrar los módulos M1 y M4/M6 de accionamiento manual para proteger el interior

de la válvula hasta que el sistema esté preparado para entrar en funcionamiento.

Si la instalación de la válvula no puede tener lugar inmediatamente, asegúrese de aplicar aceite protector contra el óxido a las superficies interiores.

El cuerpo de la válvula no debe verse sometido a tensiones (cargas externas) tras su instalación. La estación de válvulas ICF no debe montarse en sistemas en los que el lado de salida quede abierto a la atmósfera. El lado de salida de la estación de válvulas ICF siempre debe conectarse al sistema o cerrarse debidamente (por ejemplo, soldando una placa).

Protección superficial e identificación (no válido para versiones SS)

La superficie externa está tratada con cromato de zinc con el fin de conseguir una protección adecuada contra la corrosión, según la norma EN 12284:2003 8.13. El tratamiento con cromato de zinc, no obstante, no protege las conexiones para soldar. Una vez finalizada la instalación, la superficie externa de la válvula debe protegerse frente a la corrosión aplicando un revestimiento protector adecuado.

Se recomienda cubrir la placa de características antes de pintar la estación de válvulas ICF.

La identificación precisa de la estación de válvulas ICF puede tener lugar a partir de la placa de características que incorpora cada uno de los 4 o 6 módulos de función.

Mantenimiento (fig. 4)



No mezcle piezas de acero al carbono con piezas de acero inoxidable.

Revisión

Las estaciones de válvulas ICF son fáciles de revisar. No abra una estación de válvulas ICF si está presurizada.

Tras la apertura y el desmontaje de los módulos de función:

- Compruebe que ni las juntas planas y/o juntas tóricas situadas entre el módulo de función y el cuerpo de válvula ni las juntas tóricas del módulo de función presenten daños. Sustituya las juntas planas y las juntas tóricas si no están intactas.

Puede que una válvula con una junta tórica y/o junta plana dañada no module de acuerdo con sus especificaciones.

Las juntas de goma están presentes en las estaciones de válvulas ICF 15 (módulos M1/M2) e ICF 25/ICF SS 25 (todos los módulos).

Las juntas tóricas están presentes en las siguientes posiciones (consulte las figs. 4a y 4b):

ICF 15: 1 Junta de goma en cada módulo M3/M4 y 2 juntas tóricas en el módulo ICM.

ICF 20/ICF SS 20: 1 Junta de goma en todos los módulos y 2 juntas tóricas en el módulo ICM.



Aplicaciones con CO₂

Cuando se usan en sistemas con CO₂, las juntas tóricas (consulte las figs. 4a y 4b) pueden inflarse (crecer).

Durante la revisión, se recomienda sustituir todas las juntas tóricas usadas antes de volver a instalar los módulos de función en el cuerpo de la válvula ICF.

Módulo de desescarche ICFD 20 para CO₂:
Asegúrese de que el módulo sea del tipo ICFD 20C

ESPAÑOL

- Compruebe que ni el pistón ni el cilindro presenten arañazos y busque marcas de desgaste. Si el desgaste es excesivo, el módulo de función deberá sustituirse para evitar una falsa señal piloto en el anillo del pistón.
- Compruebe que el cilindro y el asiento de la válvula se muevan libremente y sin fricción.
- Si la placa de teflón de la válvula ha sufrido daños, deberá sustituirse el módulo de función.
- En módulos de válvula motorizada ICM 20, compruebe que el asiento de PEEK no se encuentre dañado ni arañado. Si es así, sustituya el asiento de PEEK. (Allen key 12 mm, torque 2 Nm (1.5 ft lb)).

Montaje

Elimine la suciedad que pueda haberse acumulado en el cuerpo de válvula antes de montar una estación de válvulas ICF.

- Compruebe que ninguno de los canales de la estación de válvulas ICF se encuentre obstruido por partículas o residuos de otro tipo.
Si es posible, aplique aceite refrigerante para facilitar la inserción de los módulos y proteger las juntas tóricas.

Apriete (figs. 5, 6 y 7)

Apriete la cubierta superior empleando una llave dinamométrica y aplicando los pares de apriete indicados en la tabla (consulte la fig. 5).

Accionamiento del vástago manual (figs. 6 a 8)

ICF 15, ICF 20 e ICF SS 20 (figs. 6a y 6b)

- ICFS/ICFS SS (módulo de válvula de cierre)
- ICFR/ICFR SS (válvula de regulación manual)
- ICFN/ICFN SS (válvula de cierre/retención)
- ICFO/ICFO SS (módulo de apertura manual)

Antes de volver a montar la caperuza en los módulos ICFS/ICFS SS (módulo de válvula de cierre), ICFR/ICFR SS (módulo de válvula de regulación manual) o ICFN/ICFN SS (módulo de válvula de cierre/retención), asegúrese de que la junta esté presente en la caperuza. Apriete a continuación la caperuza aplicando un par de apriete de 16 N·m (12 lb·ft).

ICF 25 e ICF SS 25 (consulte la fig. 7a)

- ICFS/ICFS SS (módulo de válvula de cierre)
- ICFR/ICFR SS (válvula de regulación manual)
- ICFN/ICFN SS (válvula de cierre/retención)
- ICFE/ICFE SS (módulo de apertura manual)

Antes de volver a montar la caperuza en los módulos ICFS/ICFS SS (módulo de válvula de cierre), ICFR/ICFR SS (módulo de válvula de regulación manual) o ICFN/ICFN SS (módulo de válvula de cierre/retención), asegúrese de que la junta esté presente en la caperuza. Apriete a continuación la caperuza aplicando un par de apriete de 24 N·m (18 lb·ft).

Prensaestopas (ICFE/ICFE SS) (consulte la fig. 7b): Si el prensaestopas presenta fugas, apriételo con cuidado empleando una llave. No aplique demasiada fuerza.

Danfoss recomienda apretar el prensaestopas paso a paso. Compruebe si existen fugas cada vez que complete una vuelta.

Accionamiento del vástago manual del módulo solenoide ICFE 25/ICFE SS 25 (consulte la fig. 8a):

Para forzar la apertura del solenoide empleando el vástago manual, gírelo **en sentido contrario a las agujas del reloj** hasta el tope. (Modo manual)

Para accionar el solenoide en el modo automático, gire el vástago manual **en el sentido de las agujas del reloj** hasta alcanzar el anillo de bloqueo.

No fuerce el eje. Si el anillo de bloqueo está dañado o no se encuentra presente, el eje comenzará a sufrir fugas.

El cierre de la válvula no se puede forzar con el vástago manual.

Accionamiento del vástago manual del módulo de válvula solenoide ICFE 20H/ICFE SS 20H (consulte la fig. 8b):

Retire el tapón lateral del módulo ICFE 20H/ICFE SS 20H.

El mecanismo de apertura manual se deshabilita (quedando inactivo) en la posición correspondiente a las 9 en punto.

Para forzar la apertura del solenoide del módulo ICFE 20H/ICFE SS 20H, gírelo en el sentido de las agujas del reloj hasta la posición correspondiente a las 3 en punto con una llave Allen de 5 mm.

Módulo de desescarche ICFD

Protección durante el transporte

Retire el dispositivo de protección de transporte (ref. 1, fig. 10). Inserte el tapón de drenaje y la junta de aluminio suministrados con la válvula (ref. 2, fig. 10) y apriételos aplicando el par de apriete indicado.

Presión de prueba máxima

Si la presión de prueba del sistema necesita superar los siguientes valores:

ICFD 20 (amoníaco): 28 bar g / 406 psi g
ICFD 20C (CO₂): 52 bar g / 754 psi g
es necesario preparar el módulo ICFD como se muestra en la fig. 11:

1. Desenrosque los 6 pernos de la brida y desmonte la carcasa del flotador.
- 2+3. Destornillar y remover la palanca junto con el ensamble de flotador usando una llave de boca de 4mm.
4. Vuelva a montar la carcasa del flotador y apriete los 6 pernos de la brida aplicando el par de apriete indicado en la fig. 10.
5. Prueba con una presión del sistema superior a:

ICFD 20 (amoníaco): 28 bar g / 406 psi g

6. Reinstalar la palanca junto con el ensamble de flotador usando una llave de boca de 4mm.

No usar el flotador para atornillar ni aplicar torque.

7. Vuelva a montar la carcasa del flotador y apriete los 6 pernos de la brida aplicando el par de apriete indicado en la fig. 10.

Se recomienda sustituir la junta de la carcasa del flotador por una junta nueva si se repite esta compresión.

Accionamiento del vástago manual del módulo de desescarche ICFD (consulte la fig. 12)

Retire el tapón lateral del módulo ICFD (ref. A, fig. 10).

El mecanismo de apertura manual se deshabilita en la posición correspondiente a las 9 en punto (A = modo automático).

Para forzar la apertura del módulo ICFD, gírelo en el sentido de las agujas del reloj hasta, aproximadamente, la posición correspondiente a las 2 en punto con una llave Allen de 5 mm hasta que llegue al tope mecánico (M = modo de apertura manual).

Vuelva a instalar el tapón A de la fig. 10 y apriételo aplicando un par de apriete de 80 Nm (59 ft lb).

Se recomienda reemplazar la junta de aluminio en caso que se requieran más aperturas de la tapa.

Ubicación de los módulos (figs. 9a, 9b y 9c)
Estación de válvulas ICF con cuatro módulos

Tipo de módulo de función		Posiciones posibles			
ICFS/ICFS SS	Módulo de válvula de cierre	M1 *)	M2	M3	M4
ICFR/ICFR SS	Módulo de válvula de regulación manual	M1	M2	M3	M4
ICFF/ICFF SS	Módulo de filtro		M2 *)		M4
ICFE/ICFE SS	Módulo de válvula solenoide			M3	
ICFC/ICFC SS	Módulo de válvula de retención				M4
ICFN / ICFN SS	Módulo de válvula de cierre/retención				M4
ICM/ICM SS	Módulo de válvula motorizada	M1		M3	
ICFB/ICFB SS	Módulo de tapa ciega	M1	M2	M3	M4
ICFA/ICFA SS	Módulo de válvula de expansión electrónica (no para ICF 25)	M1		M3	
ICFE 20H/ICFE SS 20H	Módulo de válvula solenoide (no para ICF 25)	M1		M3	
ICFO/ICFO SS	Módulo de apertura manual (no para ICF 25)				M4
ICFW/ICFW SS	Módulo de conexión para soldar	M1	M2	M3	M4
ICFD	Módulo de desescarhe		M2		M4

Estación de válvulas ICF con seis módulos

Tipo de módulo de función		Posiciones posibles					
ICFS/ICFS SS	Módulo de válvula de cierre	M1	M2	M3	M4	M5	M6
ICFR/ICFR SS	Módulo de válvula de regulación manual	M1	M2	M3	M4	M5	M6
ICFF/ICFF SS	Módulo de filtro		M2		M4		M6
ICFE/ICFE SS	Módulo de válvula solenoide			M3			
ICFC/ICFC SS	Módulo de válvula de retención				M4		M6
ICFN / ICFN SS	Módulo de válvula de cierre/retención				M4		M6
ICM/ICM SS	Módulo de válvula motorizada	M1		M3		M5	
ICFB/ICFB SS	Módulo de tapa ciega	M1	M2	M3	M4	M5	M6
ICFA/ICFA SS	Módulo de válvula de expansión electrónica (no para ICF 25)	M1		M3		M5	
ICFE 20H/ICFE SS 20H	Módulo de válvula solenoide (no para ICF 25)	M1		M3		M5	
ICFO/ICFO SS	Módulo de apertura manual (no para ICF 25)				M4		
ICFW/ICFW SS	Módulo de conexión para soldar	M1	M2	M3	M4	M5	M6
ICFD	Módulo de desescarhe		M2		M4		M6

Las posiciones de los módulos se indican mediante los códigos M1, M2, M3, M4, M5 y M6. La posición M1 es la más cercana a la entrada en el sentido de flujo del refrigerante.

Posición no válida.

*) Estación de válvulas ICF 15: los módulos M1 y M2 son fijos (válvula de cierre y filtro, respectivamente).

Use exclusivamente piezas de repuesto originales de Danfoss, incluidas las juntas tóricas y las juntas planas para sustitución. Los materiales con los que se fabrican las piezas poseen las debidas homologaciones para el refrigerante correspondiente. En caso de duda, póngase en contacto con Danfoss.

PORTUGUÊS

Refrigerantes

Aplicável a HCFC, HFC não inflamável, R717 (Amônia) e R744 (CO₂).

Exceção:

O ICFD é projetado apenas para amônia e CO₂.

ICFD 20 = versão para amônia

ICFD 20C = versão para CO₂

O uso de bloco de válvulas ICF com hidrocarbonetos inflamáveis não é recomendado.

A ICF é recomendada apenas para uso em circuitos fechados. Para obter mais informações, entre em contato com a Danfoss.

Faixa de temperatura

ICF em geral:

-60/+120 °C (-76/+248 °F)

ICFD 20: -50/+50 °C (-58/+122 °F) a 28 bar g (406 psi g)

ICFD 20C: -50/+50 °C (-58/+122 °F) a 52 bar g (754 psi g)

Faixa de pressão

A ICF geral é projetada para:

Pressão máxima de trabalho: 52 bar g (754 psi g)

ICFD 20 (amônia):

Para ICF com um módulo ICFD, a pressão máxima de trabalho é de 28 bar g / 406 psi g. Se o sistema de refrigeração inclui um módulo ICFD 20, uma pressão de teste do sistema não deve exceder 28 bar g / 406 psi g, a menos que o flutuador do ICFD seja retirado temporariamente antes do teste. Veja a fig. 11.

ICFD 20C (CO₂):

Para ICF com um módulo ICFD 20C, a pressão máxima de trabalho é de 52 bar g / 754 psi g. Se o sistema de refrigeração inclui um módulo ICFD 20C, uma pressão de teste do sistema não deve exceder 52 bar g / 754 psi g, a menos que o flutuador do ICFD 20C seja retirado temporariamente antes do teste. Veja a fig. 11.

Aplicação

A ICF pode ser usada em linhas de sucção, de líquido, de gás quente e de líquido/vapor. A ICF está disponível com 4 ou 6 módulos de função. A ICF regula o fluxo do meio pela modulação ou pela função liga/desliga, dependendo dos módulos de função instalados na ICF.

Faixa de regulagem

Depende do tipo escolhido e combinação de módulos instalados na válvula.

Instalação (fig. 1)

A ICF deve ser instalada de acordo com a fig. 1. A ICF deve ser instalada com a seta no sentido do fluxo.

Os módulos ICM e ICFD requerem orientação horizontal da válvula.

A ICF será entregue com todos os módulos

de função totalmente montados. Os módulos podem ser retirados para manutenção ou inspeção e podem ser girados 4 x 90° em relação ao corpo da válvula após a instalação.

Certifique-se de que a posição do ICFD permita espaço para módulos em cada lado do ICFD.

A ICF pode ser equipada com um eixo para abertura manual da válvula solenoide.

A ICF foi concebida para suportar uma elevada pressão interna. Entretanto, o sistema de tubulação deve ser projetado para evitar enclausuramento de líquido e reduzir o risco de pressão hidráulica causada pela expansão térmica.

Certifique-se de que a ICF está protegida de transitórios de pressão como "golpes de aríete" no sistema.

Soldagem (fig. 2 e 3)

O bloco de válvula ICF pode ser soldado através da soldagem TIG/MIG/SAW (fig. 2) ou soldagem a gás. (fig. 3)

Mantenha sempre as tampas de proteção da entrada e da saída no bloco de até que ele esteja pronto para ser instalado, para evitar a formação de ferrugem no interior do bloco de válvulas.

Soldagem TIG/MIG/SAW

Não é necessário remover nenhum dos módulos de função antes da soldagem TIG/MIG/SAW (fig. 2) e não é necessária a refrigeração auxiliar no caso de um aquecimento normal na região.

Todas as precauções devem ser tomadas para minimizar os respingos de solda.

Para os blocos de válvulas ICF equipados com uma válvula de bloqueio no primeiro módulo (M1) e uma válvula de bloqueio, de regulagem ou de bloqueio/de retenção no último módulo (M4 ou M6), recomenda-se abrir essas válvulas ligeiramente (aprox. 1 volta da posição fechada) para minimizar o impacto de calor de soldagem nos assentos de Teflon.

Após a soldagem, recomenda-se fechar estas válvulas novamente para evitar potencial deslocamento de gases e mantê-las fechadas até o sistema estar pronto para funcionar.

Todos os outros módulos da válvula estão aptos, em qualquer posição do módulo, a compensar o impacto normal de calor da soldagem e não precisam de atenção especial.

Soldagem a gás

Remova todos os módulos antes da soldagem (fig. 3). A refrigeração auxiliar não é necessária no caso de um aquecimento normal na região.

Todas as precauções devem ser tomadas para minimizar os respingos da soldagem.

Após a soldagem, limpe os respingos e resíduos de solda dentro da válvula. Recomenda-se reinstalar os módulos imediatamente após a soldagem e fechar os 2 módulos novamente (M1 e M4/M6) para proteger o interior da válvula até que o sistema esteja pronto para funcionar. Se a válvula não for montada imediatamente, certifique-se de aplicar um óleo protetor contra ferrugem nas superfícies internas.

O corpo deve estar livre de tensão (cargas externas) após a instalação. A ICF não pode ser montada em sistemas onde o lado de saída da ICF esteja aberto para a atmosfera. O lado de saída da ICF deve estar sempre conectado ao sistema ou tampado adequadamente, por exemplo, com uma placa de extremidade soldada.

Identificação e proteção de superfície (não aplicável para as versões SS)

A superfície externa revestida com cromato de zinco fornece proteção contra a corrosão conforme a EN 12284:2003 8.13. A proteção com cromato de zinco não abrange as conexões de soldagem. Após a instalação ter sido concluída, a superfície externa da válvula deve ser protegida contra corrosão com um revestimento adequado. Recomenda-se a cobertura da etiqueta de identificação quando a ICF for pintada. A identificação precisa da ICF é feita por meio da etiqueta de identificação em cada um dos 4 ou 6 módulos de função.

Manutenção (fig. 4)

Não misture peças de aço carbono com peças de aço inoxidável.

Assistência

Os blocos de válvulas ICF são fáceis de manusear. Não abra a ICF enquanto ela ainda estiver sob pressão.

Ao abrir e remover os módulos de função:

- Verifique se as juntas planas e/ou os o-rings entre o módulo de função e o corpo e os O-rings no módulo de função não foram danificados. Substitua as juntas planas e os o-rings se não estiverem intactos.

Uma válvula com junta/o-ring danificados pode não ajustar de acordo com a especificação.

As juntas planas estão presentes no módulo M1/M2 da ICF 15 e em todos os módulos da ICF SS 25.

As juntas de borracha estão presentes nos seguintes locais: (ver fig 4a, 4B)

ICF 15: 1 junta de borracha em cada módulo M3/M4 e 2 O-rings no módulo ICM.

ICF 20/ICF SS 20: 1 junta de borracha em todos os módulos e 2 O-rings no módulo ICM.

**Aplicações de CO₂**

Quando usados em sistemas de CO₂, os O-rings (ver fig. 4a e 4b) podem dilatar (aumentar).

Na assistência técnica, recomenda-se substituir o número efetivo de O-rings antes que os módulos de função sejam reinstalados no corpo da válvula da ICF. **Módulo de degelo ICFD 20 para CO₂:** Certifique-se de que o módulo é do tipo ICFD 20C

PORTUGUÊS

- Verifique se o pistão e o cilindro não estão riscados e procure marcas de desgaste. Se o desgaste for excessivo, o módulo de função deverá ser substituído para evitar falsos sinais do piloto em redor do anel do pistão.
- Verifique se o movimento do cilindro e do assento da válvula estão livres e com fricção reduzida.
- Se a placa da válvula em teflon tiver sido danificada, o módulo de função deve ser substituído.
- Nos módulos ICM 20 verifique se o assento PEEK não foi danificado ou arranhado. Se estiver danificado ou riscado; substitua o assento PEEK. (Allen key 12 mm, torque 2 Nm (1.5 ft lb)).

Montagem

Remova qualquer sujeira do corpo antes de proceder à montagem da ICF.

- Verifique se todos os canais na ICF estão livres de partículas ou resíduos semelhantes. Se possível, aplique um pouco de óleo de refrigeração para facilitar a inserção dos módulos e proteger os o-rings.

Aperto (fig. 5, 6 e 7)

Aperte a cobertura final com uma chave de torque, nos valores indicados na tabela (ver fig. 5).

Operação manual (fig. 6 a 8)

ICF 15, ICF 20, ICF SS 20 (fig. 6A e 6b)

- ICFS/ICFS SS - módulo válvula de bloqueio
 - ICFR/ICFR SS - módulo válvula de regulagem manual
 - ICFN/ICFN SS - módulo válvula de bloqueio/retenção
 - ICFO/ICFO SS - módulo operador manual
- Antes de montar novamente a tampa nos módulos ICFS/ICFS SS (módulo válvula de bloqueio), ICFR/ICFR SS (módulo válvula de regulagem manual) ou ICFN/ICFN SS (módulo válvula de bloqueio/de retenção), certifique-se de que a junta esteja presente na tampa. Em seguida, aperte a tampa com 16 Nm (12 lbs pés).

ICF 25, ICF SS 25 (consulte a fig. 7A)

- ICFS/ICFS SS - módulo válvula de bloqueio
 - ICFR/ICFR SS - módulo válvula reguladora manual
 - ICFN/ICFN SS - módulo válvula de bloqueio/retenção
 - ICFE/ICFE SS - módulo operador manual
- Antes de montar novamente a tampa nos módulos ICFS/ICFS SS (módulo válvula de bloqueio), ICFR/ICFR SS (módulo válvula de regulagem manual) ou ICFN/ICFN SS (módulo válvula de bloqueio/de retenção), certifique-se de que a junta esteja presente na tampa. Em seguida, aperte a tampa com 24 Nm (18 lbs pés).

Junta de vedação (ICFE/ICFE SS) (ver fig. 7b): Se a sobreposta estiver com vazamento,

aperte-a cuidadosamente com uma chave. Não aplique muita força. A Danfoss recomenda que você realize um aperto da sobreposta por passos. Em cada volta verifique se existem vazamentos.

Operação manual no módulo solenoide ICFE 25/ICFE SS 25 (ver fig. 8a):

Para forçar a abertura do solenoide pelo operador manual, gire **no sentido anti-horário** completamente para cima. (Modo manual)

Para operar a solenoide no modo automático, gire o operador manual **no sentido horário** até que o anel de bloqueio pare.

Não force mais o eixo. Se o anel de bloqueio estiver danificado ou removido, o eixo irá começar a vazar.

A válvula não pode ser forçada a fechar pelo operador manual.

Operação manual no módulo válvula solenoide ICFE 20H/ICFE SS 20H (ver fig. 8b):

Remova a tampa da parte lateral do ICFE 20H/ICFE SS 20H. Na posição de 9 horas, o operador manual ficará desabilitado (não ativo).

Para forçar a abertura da solenoide do ICFE 20H/ICFE SS 20H, use uma chave Allen de 5 mm e gire no sentido horário para a posição de 3 horas.

Módulo de degelo ICFD

Proteção de transporte

Remova o dispositivo de segurança de transporte (pos. 1 na fig. 10). Insira o plugue do dreno + gaxeta de alum. encaixadas na válvula (pos. 2 na fig. 10) e aperte com o torque indicado.

Pressão de teste máxima

Se a pressão de teste do sistema precisar exceder:

ICFD 20 (amônia): 28 bar g / 406 psi g

ICFD 20C (CO₂): 52 bar g / 754 psi g

será necessário preparar o módulo ICFD conforme mostrado na fig. 11:

1. Remova os 6 parafusos da flange e retire a carcaça da boia.
- 2 + 3. Solte o parafuso e remova a alavanca com flutuador usando chave A/F 4 mm. **Atenção** - o flutuador na extremidade da alavanca não deve ser desenroscado e não use o flutuador para desaparafusar.
4. Remonte a carcaça da boia e aperte os 6 parafusos da flange com o torque indicado na fig. 10
5. Teste com a pressão do sistema superior a:
 - ICFD 20 (amônia): 28 bar g / 406 psi g
 - ICFD 20C (CO₂): 52 bar g / 754 psi g
6. Reinstale o conjunto da alavanca com flutuador usando a chave A/F 4mm. Não utilize o flutuador para o aperto.

7. Remonte a carcaça da boia e aperte os 6 parafusos da flange com o torque indicado na fig. 10

É recomendado substituir a gaxeta da carcaça da boia por uma nova gaxeta, após cada procedimento de retirada da carcaça da boia.

Uso do operador manual do módulo de degelo ICFD (ver fig. 12)

Remova a tampa da parte lateral do ICFD (pos. A na fig. 10).

Na posição de 9 horas o operador manual é desativado (A = modo automático).

Para forçar a abertura do ICFD, use uma chave Allen de 5 mm e gire no sentido horário até aproximado a posição de 2 horas e onde será atingido o ponto de parada mecânica (M = modo de abertura manual). Em operação normal, sempre mantenha o operador manual no modo automático. Remonte a tampa A na fig. 10 e aperte com torque 80 Nm (59 pés lbs). É recomendado substituir a junta de alumínio no caso de ser necessário outras aberturas desta tampa.

PORTUGUÊS

Localização do módulo (fig. 9a, 9b, 9c)


ICF com quatro módulos

Tipo do Módulo de Função		Pode ser instalado nestes locais			
ICFS/ICFS SS	Módulo válvula de bloqueio	M1 *)	M2	M3	M4
ICFR/ICFR SS	Módulo válvula de regulação manual	M1	M2	M3	M4
ICFF/ICFF SS	Módulo filtro (peneira)		M2 *)		M4
ICFE/ICFE SS	Módulo válvula solenoide			M3	
ICFC/ICFC SS	Módulo válvula de retenção				M4
ICFN / ICFN SS	Módulo válvula de bloqueio/retenção				M4
ICM/ICM SS	Módulo válvula motorizada	M1		M3	
ICFB/ICFB SS	Tampa cega	M1	M2	M3	M4
ICFA/ICFA SS	Módulo válvula de expansão eletrônica (não serve para ICF 25)	M1		M3	
ICFE 20H/ICFE SS 20H	Módulo válvula solenoide (não serve para ICF 25)	M1		M3	
ICFO/ICFO SS	Módulo operador manual (não serve para ICF 25)				M4
ICFW/ICFW SS	Módulo conexão para solda	M1	M2	M3	M4
ICFD	Módulo de degelo		M2		M4

ICF com seis módulos

Tipo do Módulo de Função		Pode ser instalado nestes locais					
ICFS/ICFS SS	Módulo válvula de bloqueio	M1	M2	M3	M4	M5	M6
ICFR/ICFR SS	Módulo válvula de regulação manual	M1	M2	M3	M4	M5	M6
ICFF/ICFF SS	Módulo filtro (peneira)		M2		M4		M6
ICFE/ICFE SS	Módulo válvula solenoide			M3			
ICFC/ICFC SS	Módulo válvula de retenção				M4		M6
ICFN / ICFN SS	Módulo válvula de bloqueio/retenção				M4		M6
ICM/ICM SS	Módulo válvula motorizada	M1		M3		M5	
ICFB/ICFB SS	Tampa cega	M1	M2	M3	M4	M5	M6
ICFA/ICFA SS	Módulo válvula de expansão eletrônica (não serve para ICF 25)	M1		M3		M5	
ICFE 20H/ICFE SS 20H	Módulo válvula solenoide (não serve para ICF 25)	M1		M3		M5	
ICFO/ICFO SS	Módulo operador manual (não serve para ICF 25)				M4		
ICFW/ICFW SS	Módulo conexão para solda	M1	M2	M3	M4	M5	M6
ICFD	Módulo de degelo		M2		M4		M6

As localizações dos módulos são indicadas por M1, M2, M3, M4, M5 e M6. Em relação ao fluxo de refrigerante, M1 é o mais próximo da entrada.

 localização impossível

*) ICF 15 - módulos M1 e M2 são fixos (válvula de bloqueio e filtro, respectivamente)

Utilize somente peças originais da Danfoss, incluindo O-rings e juntas para as substituições.

Os materiais das peças novas estão certificados para o refrigerante relevante.

Em caso de dúvidas, por favor, entre em contato com a Danfoss.

POLSKI

Czynniki chłodnicze

Dotyczy czynników chłodniczych HCFC, niepalnych czynników HFC, R717 (amoniak) i R744 (CO₂).

Wyjątek:

ICFD obsługuje wyłącznie amoniak i CO₂
ICFD 20 = wersja wykorzystująca amoniak
ICFD 20C = wersja wykorzystująca CO₂

Nie zaleca się stosowania zaworów blokowych ICF z łatwopalnymi węglowodorami.

Zawory ICF zaleca się stosować wyłącznie w obiegach zamkniętych. Aby uzyskać więcej informacji, należy się skontaktować z firmą Danfoss.

Zakres temperatur

ICF in general:

-60/+120°C (-76/+248°F)

ICFD 20: -50/+50 °C (-58/+122 °F) at
28 bar g (406 psi g)

ICFD 20C: -50/+50 °C (-58/+122 °F) at
52 bar g(754 psi g)

Zakres ciśnień

Ogólny model ICF jest zaprojektowany z myślą o:

Maks. ciśnienie robocze: 52 bar g (754 psi g)

ICFD 20 (amoniak):

W przypadku zaworu ICF z modułem ICFD maksymalne ciśnienie robocze wynosi 28 barów (g)/406 psig. Jeśli układ chłodniczy zawiera moduł ICFD 20, ciśnienie testowe układu nie może przekraczać 28 barów (g)/406 psig, chyba że pływak modułu ICFD zostanie tymczasowo wyjęty na potrzeby testu. Zob. rys. 11.

ICFD 20C (CO₂):

W przypadku zaworu ICF z modułem ICFD 20C maksymalne ciśnienie robocze wynosi 52 bary (g)/754 psig. Jeśli układ chłodniczy zawiera moduł ICFD 20C, ciśnienie testowe układu nie może przekraczać 52 barów (g)/754 psig, chyba że pływak modułu ICFD 20C zostanie tymczasowo wyjęty na potrzeby testu. Zob. rys. 11.

Zastosowanie

Zawór blokowy ICF może być stosowany w rurociągach ssawnych par suchych lub mokrych, zasilania cieczą lub gorącymi parami. Zawór ICF jest dostępny z 4 lub 6 modułami roboczymi. Zawór blokowy ICF steruje przepływem czynnika chłodniczego, przez regulację ciągłą lub zamknij/otwórz, w zależności od zamontowanych w nim modułów roboczych.

Zakres regulacji

Zależą od wybranego typu i kombinacji modułów roboczych zamontowanych w zaworze blokowym.

Montaż (rys. 1)

Zawór blokowy ICF należy zamontować zgodnie z rys. 1. Zawór blokowy ICF należy zamontować tak, by strzałka wskazywała kierunek przepływu.

Zawór w modułach ICM i ICFD musi być umieszczony poziomo.

Zawór blokowy ICF jest dostarczany ze zamontowanymi wszystkimi modułami roboczymi. Moduły można demontować

do przeglądu lub serwisu, a podczas montażu można je obracać o 4 x 90° względem korpusu zaworu.

Należy upewnić się, że położenie ICFD zapewnia z obu stron dostateczną ilość miejsca dla modułów.

Zawór ICF może być wyposażony w wrzeciono do ręcznego otwierania zaworu elektromagnetycznego.

Zawór blokowy ICF został zaprojektowany tak, aby wytrzymać wysokie ciśnienie wewnętrzne. Układ rurociągów powinien jednak być zaprojektowany tak, aby uniknąć zamkniętych przestrzeni cieczowych i zmniejszyć ryzyko wzrostu ciśnienia wynikającego z rozszerzalności cieplnej cieczy.

Wykonanie instalacji powinno zapewnić zabezpieczenie zaworu blokowego ICF przed

impulsami wysokiego ciśnienia wynikającymi z uderzeń hydraulicznych.

Spawanie (rys. 2 i 3)

Zawór blokowy ICF można spawać metodą TIG/migomatem/elektrodą otuloną (rys. 2) lub gazowo (rys. 3).

Aby zapobiec powstawaniu rdzy wewnątrz zaworu blokowego, zaślepki ochronne wlotu i wylotu powinny, przez cały czas znajdować się na zaworze aż do chwili przystąpienia do jego montażu.

Spawanie metodą TIG/migomatem/elektrodą z otuliną

Przed przystąpieniem do spawania metodą TIG/migomatem/elektrodą z otuliną dodatkowe chłodzenie nie jest wymagane.

Należy podjąć wszelkie możliwe środki ostrożności w celu zminimalizowania ilości okruszków spawalniczych.

W przypadku zaworów blokowych ICF wyposażonych w zawór odcinający w pierwszym module (M1) i w zawór odcinający lub regulacyjny lub odcinająco/zwrotny w ostatnim module (M4 lub M6) zaleca się nieznaczne otwarcie tych zaworów przed spawaniem (o około 1 obrót od pozycji zamkniętej), aby zminimalizować oddziaływanie ciepła spawania na gniazda teflonowe.

Po zakończeniu spawania zaleca się ponowne zamknięcie tych zaworów, aby nie dopuścić do możliwości przepływu gazów, i utrzymywanie ich w pozycji zamkniętej do momentu rozpoczęcia prac rozruchowych instalacji. Wszystkie pozostałe moduły, niezależnie od miejsca montażu, nie wymagają dodatkowego chłodzenia podczas spawania ani żadnych dodatkowych czynności.

Spawanie gazowe

Przed rozpoczęciem spawania należy zdemontować wszystkie moduły (rys. 3). Przy normalnym odprowadzeniu ciepła, dodatkowe chłodzenie nie jest wymagane.

Należy podjąć wszelkie możliwe środki ostrożności w celu zminimalizowania ilości okruszków spawalniczych.

Po zakończeniu spawania należy oczyścić wnętrze zaworu z odprysków i okruszków spawalniczych. Zaleca się, aby zaraz po zakończeniu spawania zamontować z powrotem moduły oraz zamknąć ręcznie obsługiwane moduły (M1 i M4/M6) w celu ochrony wnętrza zaworu do momentu osiągnięcia przez instalację gotowości do pracy. Jeśli zawór nie będzie zmontowany od razu,

należy pokryć jego wewnętrzne powierzchnie olejem zabezpieczającym przed korozją.

Po montażu korpus zaworu nie może podlegać zewnętrznym naprężeniom mechanicznym.

Zawór ICF nie może być montowany w instalacjach, w których wylot zaworu jest otwarty do atmosfery. Wylot zaworu ICF musi być zawsze podłączony do instalacji lub należyście zaślepiony, np. przyspawaną zaślepką.

Zabezpieczenie powierzchni i identyfikacja (nie dotyczy wersji SS)

Zewnętrzna powłoka chromowo-cynkowa, zapewnia ochronę przed korozją zgodnie z normą EN 12284:2003 8.13. Powłoka chromowo-cynkowa nie pokrywa przyłączy do spawania. Po zakończeniu montażu należy zabezpieczyć zewnętrzną powierzchnię zaworu przed korozją, stosując odpowiednią powłokę ochronną. Podczas malowania zaworu blokowego ICF zaleca się zakrycie tabliczki identyfikacyjnej (ID).

Dokładną identyfikację zaworu blokowego ICF umożliwiają tabliczki identyfikacyjne (ID) umieszczone na każdym z 4 lub 6 modułów roboczych.

Obsługa (rys. 4)

Nie mieszać ze sobą części ze stali węglowej z częściami ze stali nierdzewnej.

Serwis

Serwis zaworu blokowego ICF jest łatwy. Nie otwierać zaworu ICF, gdy jest on pod ciśnieniem. Po otwarciu i wymontowaniu modułów roboczych:

- Sprawdzić, czy uszczelki i/lub pierścienie o-ring znajdujące się pomiędzy modułem roboczym a korpusie oraz pierścienie o-ring umieszczone na module roboczym nie są uszkodzone. Jeśli uszczelki i pierścienie o-ring są naruszone, wymienić je.

Zawór z uszkodzonym pierścieniem o-ring/ uszczelką może nie regulować przepływu zgodnie ze specyfikacją.

Uszczelki są zamontowane w modułach M1 i M2 zaworu ICF 15 oraz we wszystkich modułach zaworów ICF 25 i ICF SS 25.

Uszczelki gumowe znajdują się w miejscach pokazanych na rys. 4a i 4b. Zawór ICF 15: 1 Gumowa uszczelka w modułach M3 i M4 oraz 2 pierścienie o-ring w module ICM.

Zawory ICF 20 i ICF SS 20: 1 Gumowa uszczelkowe wszystkich modułów oraz 2 pierścienie o-ring w module ICM.

**Zastosowanie z CO₂**

W instalacjach CO₂ pierścienie o-ring (rys. 4a i 4b) mogą pęcznieć (zwiększać objętość).

Podczas wykonywania prac serwisowych zaleca się wymianę wszystkich założonych pierścieni o-ring przed ponownym zamontowaniem modułów roboczych w korpusie zaworu ICF.

Moduł ICFD 20C układu odszraniania dla CO₂:

Upewnić się, że typ modułu to ICFD 20C

POLSKI

- Sprawdzić, czy na tłoku i cylindrze nie ma zarysowań, i sprawdzić oznaki zużycia. Jeśli zużycie jest nadmierne, należy wymienić moduł roboczy, aby zapobiec powstaniu nieprawidłowego sygnału sterującego wokół nieszczelnego pierścienia tłokowego.
- Sprawdzić, czy ruch serwo-tłoka i grzybka zaworu jest swobodny i nie powoduje dużego oporu.
- Jeśli płytką teflonową grzybka zaworu jest uszkodzona, moduł roboczy musi zostać wymieniony.
- W modułach zaworów silnikowych ICM 20 sprawdzić, czy gniazdo z tworzywa PEEK nie jest uszkodzone ani zarysowane. Jeśli gniazdo z PEEK jest uszkodzone lub zarysowane, wymienić je.
(Allen key 12 mm, torque 2 Nm (1.5 ft lb)).

Montaż

Przed zmontowaniem zaworu ICF oczyścić dokładnie korpus.

- Sprawdzić czystość i przelotowość kanałów w zaworze ICF. Usunąć opiłki lub inne zanieczyszczenia.
Jeśli to możliwe, posmarować olejem chłodniczym powierzchnie montowanych elementów, aby ułatwić wprowadzenie modułów i zabezpieczyć pierścienie o-ring.

Dokręcenie (rys. 5, 6 i 7)

Dokręcać górną pokrywę kluczem dynamometrycznym momentem podanymi w tabeli (rys. 5).

Praca wrzecionem obsługi ręcznej (rys. od 6 do 8)

ICF 15, ICF 20, ICF SS 20 (rys. 6a i 6b)

- ICFS/ICFS SS — moduł zaworu odcinającego
 - ICFR/ICFR SS — moduł ręcznego zaworu regulacyjnego
 - ICFN/ICFN SS — moduł zaworu odcinającego/zwrotnego
 - ICFO/ICFO SS — moduł ręcznego otwierania
- Przed ponownym zamontowaniem kołpaka na module ICFS/ICFS SS (moduł zaworu odcinającego), ICFR/ICFR SS (moduł ręcznego zaworu regulacyjnego) lub ICFN/ICFN SS (moduł zaworu odcinającego/zwrotnego) upewnić się, że pod kołpakiem włożona jest uszczelka. Następnie dokręcić kołpak momentem 16 Nm (12 lbf x ft).

ICF 25, ICF SS 25 (rys. 7a)

- ICFS/ICFS SS — moduł zaworu odcinającego
 - ICFR/ICFR SS — moduł ręcznego zaworu regulacyjnego
 - ICFN/ICFN SS — moduł zaworu odcinającego/zwrotnego
 - ICFE/ICFE SS — moduł ręcznego otwierania
- Przed ponownym zamontowaniem kołpaka na module ICFS/ICFS SS (moduł zaworu odcinającego), ICFR/ICFR SS (moduł ręcznego zaworu regulacyjnego) lub ICFN/ICFN SS (moduł zaworu odcinającego/zwrotnego) upewnić się, że pod kołpakiem włożona jest uszczelka. Następnie dokręcić kołpak momentem 24 Nm (18 lbf x ft).

Dławnica (zawór ICFE/ICFE SS) (rys. 7b):
Jeśli dławnica jest nieszczelna, dokręcić ją ostrożnie kluczem. Nie stosować nadmiernej siły. Firma Danfoss zaleca stopniowe dokręcanie dławnicy. Sprawdzić po każdym obrocie dławnicy, czy przeciek został już zlikwidowany.

Praca wrzecionem obsługi ręcznej modułu zaworu elektromagnetycznego ICFE 25/ICFE SS 25 (rys. 8a):

Aby wymusić otwarcie zaworu elektromagnetycznego wrzecionem obsługi ręcznej, obrócić całkowicie wrzecionem **kierunku przeciwnym do ruchu wskazówek zegara**. (Tryb: wymuszone otwarcie)

Aby zawór elektromagnetyczny działał w trybie automatycznym, obracać wrzecionem obsługi ręcznej **w kierunku zgodnym z ruchem wskazówek zegara**, aż do zatrzymania go przez pierścień ustalający. Nie obracać wrzeciona dalej, niż pozwala opór. Jeśli pierścień ustalający zostanie uszkodzony lub wymontowany, element wrzeciona znacznie przeciekać.

Nie można wymusić zamknięcia zaworu wrzecionem obsługi ręcznej.

Praca wrzecionem obsługi ręcznej modułu zaworu elektromagnetycznego ICFE 20H/ICFE SS 20H (rys. 8b)

Zdemontować zaślepkę znajdując się na powierzchni bocznej zaworu ICFE 20H/ICFE SS 20H

W położeniu odpowiadającym godzinie dziewiętej mechanizm ręcznego otwierania nie działa (praca automatyczna).

Aby wymusić otwarcie zaworu elektromagnetycznego ICFE 20H/ICFE SS 20H, obrócić wrzecionem kluczem imbusowym 5 mm zgodnie z ruchem wskazówek zegara do położenia odpowiadającego godzinie trzeciej.

Moduł ICFD z układem odszraniania

Zabezpieczenie na czas transportu

Usunąć zabezpieczenia transportowe (poz. 1 na rys. 10). W zaworze zamontować korek spustowy i uszczelkę aluminiową (poz. 2 na rys.10), a następnie dokręcić wskazanym momentem.

Maksymalne ciśnienie próbne

Jeśli ciśnienie próbne musi przekraczać:

ICFD 20 (amoniak): 28 barów (g)/406 psig

ICFD 20C (CO₂): 52 bary (g)/754 psig

konieczne jest przygotowanie modułu ICFD zgodnie z rys. 11:

1. Odkręcić 6 śrub kołnierzowych i wymontować obudowę pływaka.
- 2.+3. Za pomocą klucza 4 mm zdemontować zespół pływaka i dźwigni.
Uwaga: Przy wykrecaniu nie chwycić za pływak, aby nie wykrecić dźwigni z pływaka.
4. Założyć ponownie obudowę pływaka i dokręcić 6 śrub kołnierza momentem wskazanym na rys. 10.
5. Sprawdzić przy ciśnieniu systemu wyższym od:
ICFD 20 (amoniak): 28 barów (g)/406 psig
ICFD 20C (CO₂): 52 bary (g)/754 psig
6. Zamontować ponownie zespół pływaka i dźwigni, używając klucza 4 mm.
Nie dokręcać chwytając ręką za pływak.
7. Założyć ponownie obudowę pływaka i dokręcić 6 śrub kołnierza momentem wskazanym na rys. 10.

Po tej próbie ciśnieniowej zaleca się wymianę uszczelki obudowy pływaka na nową.

Praca wrzecionem obsługi ręcznej modułu ICFD z układem odszraniania (patrz rys. 12)

Zdjąć kołpak znajdujący się z boku modułu ICFD (poz. A na rys. 10).

W położeniu odpowiadającym godzinie dziewiętej mechanizm otwierania nie działa (A = tryb automatyczny).

Aby wymusić otwarcie modułu ICFD, obrócić wrzecionem kluczem imbusowym 5 mm zgodnie z ruchem wskazówek zegara do położenia odpowiadającego mniej więcej godzinie drugiej do mechanicznego oporu (M = tryb ręczny otwierania).

Do normalnej pracy zawsze należy przestawić mechanizm ręcznego otwierania w tryb automatyczny.

Ponownie założyć kołpak (poz. A na rys. 10) i dokręcić momentem 80 Nm (59 lbf x ft).

Zalecana jest wymiana uszczelki aluminiowej, jeżeli przewidywane jest częste odkręcanie kołpaka.

w

Usytuowanie modułów (rys. 9a, 9b i 9c)
Zawór ICF z czterema modułami

Typ modułu roboczego		Możliwe miejsca montażu			
ICFS/ICFS SS	Moduł zaworu odcinającego	M1 *)	M2	M3	M4
ICFR/ICFR SS	Moduł ręcznego zaworu regulacyjnego	M1	M2	M3	M4
ICFF/ICFF SS	Moduł filtra		M2 *)		M4
ICFE/ICFE SS	Moduł zaworu elektromagnetycznego			M3	
ICFC/ICFC SS	Moduł zaworu zwrotnego				M4
ICFN/ICFN SS	Moduł zaworu odcinającego/zwrotnego				M4
ICM/ICM SS	Moduł zaworu silnikowego	M1		M3	
ICFB/ICFB SS	Moduł pokrywa górna	M1	M2	M3	M4
ICFA/ICFA SS	Moduł elektronicznego zaworu rozprężnego (nie dla zaworu ICF 25)	M1		M3	
ICFE 20H/ICFE SS 20H	Moduł zaworu elektromagnetycznego, większe kv (nie dla zaworu ICF 25)	M1		M3	
ICFO/ICFO SS	Moduł ręcznego otwierania (nie dla zaworu ICF 25)				M4
ICFW/ICFW SS	Moduł przyłącza dodatkowego	M1	M2	M3	M4
ICFD	Moduł z układem odszraniania		M2		M4

Zawór ICF z sześcioma modułami

Typ modułu roboczego		Możliwe miejsca montażu					
ICFS/ICFS SS	Moduł zaworu odcinającego	M1	M2	M3	M4	M5	M6
ICFR/ICFR SS	Moduł ręcznego zaworu regulacyjnego	M1	M2	M3	M4	M5	M6
ICFF/ICFF SS	Moduł filtra		M2		M4		M6
ICFE/ICFE SS	Moduł zaworu elektromagnetycznego			M3			
ICFC/ICFC SS	Moduł zaworu zwrotnego				M4		M6
ICFN/ICFN SS	Moduł zaworu odcinającego/zwrotnego				M4		M6
ICM/ICM SS	Moduł zaworu silnikowego	M1		M3		M5	
ICFB/ICFB SS	Moduł pokrywa górna	M1	M2	M3	M4	M5	M6
ICFA/ICFA SS	Moduł elektronicznego zaworu rozprężnego (nie dla zaworu ICF 25)	M1		M3		M5	
ICFE 20H/ICFE SS 20H	Moduł zaworu elektromagnetycznego, większe kv (nie dla zaworu ICF 25)	M1		M3		M5	
ICFO/ICFO SS	Moduł ręcznego otwierania (nie dla zaworu ICF 25)				M4		
ICFW/ICFW SS	Moduł przyłącza dodatkowego	M1	M2	M3	M4	M5	M6
ICFD	Moduł z układem odszraniania		M2		M4		M6

Gniazda modułów oznaczono symbolami M1, M2, M3, M4, M5 i M6. M1 znajduje się najbliżej wlotu czynnika chłodniczego.

umiejscowienie niemożliwe

*) Typ modułów roboczych w gniazdach M1 i M2 w zaworze ICF 15 jest ustalony (są to odpowiednio: zawór odcinający i filtr)

Należy stosować wyłącznie oryginalnych części zamienne firmy Danfoss, w tym pierścienie o-ring i uszczelki. Materiały nowych części posiadają atest potwierdzający stosowanie ich z określonym czynnikiem chłodniczym. W przypadku wątpliwości należy się skontaktować z firmą Danfoss.

РУССКИЙ

Хладагенты

Клапанные станции ICF совместимы с хладагентами ГХФУ, ГФУ, R717 (NH₃) и R744 (CO₂). Не рекомендуется использовать с углеводородами.

Исключение:

Клапанные станции с модулем ICFD совместимы только с хладагентами R717 и R744

Модуль ICFD 20 применяется с R717

Модуль ICFD 20C применяется с R744 (CO₂)

Не рекомендуется использовать клапанные станции ICF с воспламеняющимися углеводородами.

Рекомендуется использовать клапанные станции ICF только в замкнутых контурах. Для получения более подробной информации обращайтесь в компанию Danfoss.

Диапазон температур

Клапанные станции ICF без модуля ICFD: от -60 до +120 °C (от -76 до +248 °F)

Клапанные станции ICF с модулем ICFD 20: от -50 до +50 °C (-58/+122 °F) при 28 бар изб. (406 фунт/кв. дюйм изб.)

Клапанные станции ICF с модулем ICFD 20C: от -50 до +50 °C (-58/+122 °F) при 52 бар изб. (754 фунт/кв. дюйм изб.)

Диапазон давления

Клапанные станции ICF без модуля ICFD имеют макс. рабочее давление 52 бар (изб.) (754 фунт/кв. дюйм (изб.))

Модуль ICFD 20 (аммиак):

Для клапанной станции ICF с модулем ICFD 20 макс. рабочее давление составляет 28 бар (изб.)/406 фунт/кв. дюйм (изб.). Максимальное рабочее давление и давление испытания модуля ICFD 20 составляет 28 бар изб. Если необходимо провести испытания системы, включающей модуль ICFD 20, при давлении выше 28 бар изб., то необходимо извлечь поплавок и рычаг из корпуса модуля ICFD. См. рис. 11.

ICFD 20C (CO₂):

Для клапанной станции ICF с модулем ICFD 20C макс. рабочее давление составляет 52 бар (изб.)/754 фунт/кв. дюйм (изб.). Максимальное рабочее давление ICFD 20C составляет 52 бар изб. При давлении испытания до 52 бар изб. нет необходимости извлекать поплавок и рычаг из корпуса модуля ICFD. См. рис. 11.

Применение

Клапанная станция ICF может использоваться во всасывающих линиях, жидкостных линиях, линиях горячего газа и линиях жидкости/пара. Клапанная станция ICF доступна с 4 или 6 функциональными модулями. Клапанная станция ICF регулирует расход среды путем модуляции или с помощью функции включения/выключения в зависимости от функциональных модулей, установленных в ICF.

Диапазон регулирования

Зависит от выбранного типа и комбинации модулей, установленных в клапане.

Монтаж (рис. 1)

Клапанная станция ICF должна устанавливаться в соответствии с рис. 1. При установке клапанной станции ICF стрелка должна указывать в направлении потока.

Для модулей ICM и ICFD необходима горизонтальная ориентация клапана.

Клапанная станция ICF поставляется со всеми полностью собранными функциональными модулями. Модули можно извлекать для

технического обслуживания или осмотра и после установки поворачивать в 4 стороны с шагом в 90° по отношению к корпусу клапана. Убедитесь в том, что положение ICFD предусматривает пространство для модулей с каждой стороны ICFD.

Клапанная станция ICF может быть оснащена шпинделем для ручного открытия электромагнитного клапана.

Клапанная станция ICF выдерживает высокое внутреннее давление. Тем не менее, система трубопроводов должна быть спроектирована таким образом, чтобы избежать появления участков скопления жидкости и, следовательно, уменьшить риск роста давления при тепловом расширении.

Необходимо удостовериться в том, что клапанная станция ICF защищена от резких изменений давления в системе, таких как «гидравлический удар».

Сварка (рис. 2 и 3)

Клапанную станцию ICF можно приварить дуговой сваркой вольфрамовым электродом в среде инертного газа/сваркой плавящимся электродом в среде инертного газа/дуговой сваркой металлическим электродом (рис. 2) или газовой сваркой (рис. 3). Всегда сохраняйте защитные крышки на впуске и выпуске клапанов до момента, когда клапан будет готов к установке, чтобы предотвратить образование ржавчины внутри клапанной станции.

Дуговая сварка вольфрамовым электродом в среде инертного газа/сварка плавящимся электродом в среде инертного газа/дуговая сварка металлическим электродом

Нет необходимости снимать какие-либо функциональные модули перед тем, как начать дуговую сварку вольфрамовым электродом в среде инертного газа/сварку плавящимся электродом в среде инертного газа/дуговую сварку металлическим электродом (рис. 2); также не требуется дополнительное охлаждение при нормальной тепловой нагрузке.

Необходимо принять все возможные меры предосторожности, чтобы свести к минимуму образование сварочных брызг.

В клапанных станциях ICF, оснащённых запорным клапаном в первом модуле (M1) и запорным, регулирующим или обратным-запорным клапаном в последнем модуле (M4 или M6), рекомендуется слегка открыть эти клапаны (приблизительно на 1 поворот от закрытого положения), чтобы свести к минимуму тепловую нагрузку на тефлоновые седла при сварке.

После сварки рекомендуется вновь закрыть эти клапаны для предотвращения возможного просачивания газов и оставлять их закрытыми до момента готовности системы к работе. Все остальные клапанные модули способны в любом положении модуля компенсировать нормальную тепловую нагрузку при сварке и не требуют принятия особых мер.

Газовая сварка

Перед сваркой выньте все вставные элементы (рис. 3). При нормальной тепловой нагрузке дополнительное охлаждение не требуется.

Необходимо принять все возможные меры предосторожности, чтобы свести к минимуму образование сварочных брызг.

После завершения сварки очистите внутреннюю часть клапана от сварочных брызг и обрезков. Рекомендуется сразу же после сварки вновь установить модули и закрыть управляемые вручную модули M1 и M4/M6, чтобы защитить внутреннюю часть клапана до момента готовности системы к работе. Если клапан не собран сразу же, нанесите на внутренние поверхности клапана масло для

их защиты от ржавчины.

После монтажа корпус клапана не должен подвергаться внешним воздействиям (нагрузкам). Запрещается устанавливать клапанную станцию ICF в системах, где сторона выпуска ICF сообщается с атмосферой. Сторона выпуска клапанной станции ICF должна всегда подключаться к системе или быть должным образом перекрыта, например, при помощи приварной торцевой пластины.

Защита поверхности и идентификация (не применяется для версий SS)

Наружная поверхность клапанов хромирована для защиты от коррозии в соответствии с EN 12284:2003 8.13. Сварные соединения не имеют хромированного покрытия. После монтажа необходимо обеспечить защиту наружной поверхности корпуса клапана от коррозии при помощи соответствующего защитного покрытия. При покраске клапанной станции ICF рекомендуется нанести идентификационную маркировку.

Точная идентификация клапанной станции ICF осуществляется путём идентификационной маркировки на каждом из 4 или 6 функциональных модулей.

Техническое обслуживание (рис. 4)

Не путайте детали из углеродистой стали с деталями из нержавеющей стали.

Техническое обслуживание

Клапанные станции ICF просты в обслуживании. Запрещается разбирать клапанную станцию ICF, пока она находится под давлением.

После открытия и снятия функциональных модулей:

- Убедитесь в том, что плоские прокладки и/или уплотнительные кольца между функциональным модулем и корпусом и уплотнительные кольца на функциональном модуле не повреждены. Замените плоские прокладки и уплотнительные кольца, если они повреждены.

Клапан с повреждённым уплотнительным кольцом/прокладкой не сможет работать в соответствии с техническими условиями.

Плоские прокладки имеются в модуле M1/M2 клапанной станции ICF 15 и во всех модулях клапанных станций ICF 25/ICF SS 25.

Уплотнительные кольца присутствуют в следующих местах: (см. рис. 4A, 4B)

ICF 15: 1 Резиновая прокладка в каждом модуле M3/M4 и 2 уплотнительных кольца в модуле ICM.

ICF 20/ ICF SS 20: 1 Резиновая прокладка во всех модулях и 2 уплотнительных кольца в модуле ICM.

Системы с CO₂

При техническом обслуживании до повторной установки модулей в корпус клапана ICF рекомендуется заменить все уплотнительные кольца.

Модуль оттаивания ICFD 20C для CO₂:

Убедитесь что используете модуль типа ICFD 20C.

РУССКИЙ

- Убедитесь в том, что поршень и цилиндр не имеют царапин и следов износа. Если износ слишком большой, функциональный модуль необходимо заменить во избежание ложного управляющего сигнала в зоне поршневого кольца.
- Убедитесь в том, что цилиндр и седло клапана двигаются свободно с небольшим уровнем трения.
- Если тефлоновая пластина клапана повреждена, необходимо заменить функциональный модуль.
- На клапанных модулях с электродвигателем ICM 20 убедитесь, что седло из полиэфирэфиркетона не имеет повреждений или царапин. При наличии повреждений или царапин замените седло из полиэфирэфиркетона. (Allen key 12 mm, torque 2 Nm (1.5 ft lb)).

Сборка

Перед сборкой клапанной станции ICF удалите из корпуса всю грязь.

- Убедитесь в том, что все каналы клапанной станции ICF не засорены посторонними частицами или другим мусором. По возможности нанесите холодильное масло для облегчения установки модулей и защиты уплотнительных колец.

Затяжка (рис. 5, 6 и 7)

Затяните верхнюю крышку с помощью динамометрического ключа до значений, указанных в таблице (рис. 5).

Ручное управление (рис. 6-8)

ICF 15, ICF 20, ICF SS 20 (рис. 6а и 6б)

- ICFS/ICFS SS – модуль запорного клапана
 - ICFR/ICFR SS – модуль ручного регулирующего клапана
 - ICFN/ICFN SS – модуль обратно-запорного клапана
 - ICFO/ICFO SS – модуль ручного открытия
- Перед повторной установкой крышки на модули ICFS/ICFS SS (модуль запорного клапана), ICFR/ICFR SS (модуль ручного регулирующего клапана) или ICFN/ICFN SS (модуль обратно-запорного клапана) убедитесь в том, что в крышке присутствует прокладка. Затем закрутите крышку с моментом 16 Нм (12 фт-фнт).

ICF 25, ICF SS 25 (см. рис. 7а)

- ICFS/ICFS SS – модуль запорного клапана
 - ICFR/ICFR SS – модуль ручного регулирующего клапана
 - ICFN/ICFN SS – модуль обратно-запорного клапана
 - ICFE/ICFE SS – модуль ручного открытия
- Перед повторной установкой крышки на модули ICFS/ICFS SS (модуль запорного клапана), ICFR/ICFR SS (модуль ручного регулирующего клапана) или ICFN/ICFN SS (модуль обратно-запорного клапана) убедитесь в том, что в крышке присутствует прокладка. Затем закрутите крышку с моментом 24 Нм (18 фт-фнт).

Сальник (ICFE/ICFE SS) (см. рис. 7б):

Если сальник протекает, осторожно затяните его гаечным ключом. Не прилагайте слишком большое усилие.

Компания Danfoss рекомендует затягивать сальник поэтапно. При каждом повороте проверяйте наличие возможных утечек.

Ручное управление модулем электромагнитного клапана ICFE 25/ICFE SS 25 (см. рис. 8а):

Для принудительного открытия электромагнитного клапана с помощью ручного штока полностью поверните его **против часовой стрелки** вверх. (Ручной режим)
Для управления электромагнитным клапаном в автоматическом режиме поворачивайте ручной шток **по часовой стрелке** до тех пор, пока стопорное кольцо не остановится.

Больше не поворачивайте шток. Если стопорное кольцо повреждено или снято, шпindelь начнёт протекать.

Клапан не может быть принудительно закрыт ручным штоком.

Ручное управление модулем электромагнитного клапана ICFE 20H/ICFE SS 20H (см. рис. 8б)

Снимите крышку на стороне ICFE 20H/ICFE SS 20H

В положении 9 часов условного циферблата механизм ручного открытия отключён (не активен).

Для принудительного открытия электромагнитного клапана ICFE 20H/ICFE SS 20H используйте шестигранный торцевой ключ на 5 мм и поверните его по часовой стрелке до положения 3 часов на условном циферблате.

Модуль оттаивания ICFD

Защита на время транспортировки

Снимите устройство защиты на время транспортировки (поз. 1 на рис. 10). Установите сливную заглушку и алюминиевую прокладку, входящие в комплект поставки клапана, (поз. 2 на рис. 10) и затяните с моментом затяжки.

Максимальное давление испытания

Если необходимо превысить макс. рабочее давление при гидравлических испытаниях системы:

Модуль ICFD 20 (аммиак): 28 бар (изб.)/406 фунт/кв. дюйм (изб.)
ICFD 20C (CO₂): 52 бар (изб.)/754 фунт/кв. дюйм (изб.),

необходимо извлечь поплавков и рычаг из модуля ICFD, как показано на рис. 11.

1. Отвинтите 6 фланцевых болтов и снимите корпус поплавка.
 - 2.+3. Отвинтите и снимите поплавков вместе с рычагом, используя ключ на 4 мм.
- ВНИМАНИЕ**-Поплавков и рычаг необходимо снять одновременно (Не разбирая).
4. Установите на место корпус поплавка и затяните 6 фланцевых болтов с моментом затяжки, указанным на рис. 10.
 5. Выполните испытание при давлении системы выше указанных значений:
Модуль ICFD 20 (аммиак): 28 бар (изб.)/406 фунт/кв. дюйм (изб.)
ICFD 20C (CO₂): 52 бар (изб.)/754 фунт/кв. дюйм (изб.)
 6. Установите поплавков вместе с рычагом, используя ключ на 4 мм.
Для затяжки не используйте поплавков, только ключ.
 7. Установите на место корпус поплавка и затяните 6 фланцевых болтов с моментом затяжки, указанным на рис. 10.

Рекомендуется заменить прокладку корпуса поплавка на новую после повторного сжатия.

Работа со шпинделем ручного открытия/ закрытия на модуле оттаивания ICFD (см. рис. 12)

Снимите крышку на стороне ICFD (поз. А на рис. 10).

В положении 9 часов условного циферблата механизм ручного открытия отключён (А = автоматический режим).

Для принудительного открытия ICFD используйте 5-миллиметровый шестигранный торцевой ключ и поверните его по часовой стрелке приблизительно в положение 2 часов пока он не упрётся в механический стопор (M = режим ручного открытия).

Всегда переводите шток ручного открытия в автоматический режим для нормальной работы.

Установите на место колпачок А на рис. 10 и затяните его с моментом затяжки 80 Нм (59 футо-фунтов).

Рекомендуется замена уплатнительного кольца колпачка штока ручного открытия.

РУССКИЙ

Расположение модуля (рис. 9а, 9b, 9с)

ICF 50 с четырьмя модулями

Тип функционального модуля		Может быть установлен в данных местах			
ICFS/ICFS SS	Модуль запорного клапана	M1 *)	M2	M3	M4
ICFR/ICFR SS	Модуль ручного регулирующего клапана	M1	M2	M3	M4
ICFF/ICFF SS	Модуль фильтра (сетчатого фильтра)		M2 *)		M4
ICFE/ICFE SS	Модуль электромагнитного клапана			M3	
ICFC/ICFC SS	Модуль обратного клапана				M4
ICFN / ICFN SS	Модуль обратно-запорного клапана				M4
ICM/ICM SS	Модуль клапана с электродвигателем	M1		M3	
ICFB/ICFB SS	Верхняя глухая крышка	M1	M2	M3	M4
ICFA/ICFA SS	Модуль электронного расширительного клапана (не для ICF 25)	M1		M3	
ICFE 20H/ICFE SS 20H	Модуль электромагнитного клапана (не для ICF 25)	M1		M3	
ICFO/ICFO SS	Модуль ручного открытия (не для ICF 25)				M4
ICFW/ICFW SS	Приварной модуль	M1	M2	M3	M4
ICFD	Модуль оттаивания		M2		M4

ICF с шестью модулями

Тип функционального модуля		Может быть установлен в данных местах					
ICFS/ICFS SS	Модуль запорного клапана	M1	M2	M3	M4	M5	M6
ICFR/ICFR SS	Модуль ручного регулирующего клапана	M1	M2	M3	M4	M5	M6
ICFF/ICFF SS	Модуль фильтра (сетчатого фильтра)		M2		M4		M6
ICFE/ICFE SS	Модуль электромагнитного клапана			M3			
ICFC/ICFC SS	Модуль обратного клапана				M4		M6
ICFN / ICFN SS	Модуль обратно-запорного клапана				M4		M6
ICM/ICM SS	Модуль клапана с электродвигателем	M1		M3		M5	
ICFB/ICFB SS	Верхняя глухая крышка	M1	M2	M3	M4	M5	M6
ICFA/ICFA SS	Модуль электронного расширительного клапана (не для ICF 25)	M1		M3		M5	
ICFE 20H/ICFE SS 20H	Модуль электромагнитного клапана (не для ICF 25)	M1		M3		M5	
ICFO/ICFO SS	Модуль ручного открытия (не для ICF 25)				M4		
ICFW/ICFW SS	Приварной модуль	M1	M2	M3	M4	M5	M6
ICFD	Модуль оттаивания		M2		M4		M6

Местоположения модулей обозначены как M1, M2, M3, M4, M5 и M6. По отношению к потоку хладагента M1 является ближайшим к входу модулем.

 Размещение невозможно

*) ICF 15 – модули M1 и M2 являются неподвижными (запорный клапан и фильтр соответственно)

Для замены используйте только подлинные детали производства компании Danfoss, включая уплотнительные кольца и прокладки. Материалы новых деталей сертифицированы для соответствующего хладагента. В случае возникновения вопросов обращайтесь в компанию Danfoss.

中文

制冷剂

适用于 HCFC、不可燃 HFC、R717 (氨) 和 R744 (CO₂)。

特殊情况:

ICFD 仅用于氨和二氧化碳

ICFD 20 = 专用于氨

ICFD 20C = 专用于二氧化碳

不推荐 ICF 阀组用于易燃性碳氢化合物制冷剂。

建议 ICF 阀门仅用于密闭回路系统。详情请联系丹佛斯。

温度范围

ICF 通用型:

-60/+120 °C (-76/+248 °F)。

ICFD 20: 28 bar g (406 psi g)

时 -50/+50 °C (-58/+122 °F)

ICFD 20C: 52 bar g (754 psi g) 时

-50/+50 °C (-58/+122 °F)

压力范围

通用型 ICF 适用于:

最大工作压力: 52 bar g (754 psi g)

ICFD 20 (氨):

对于带 ICFD 20 模块的 ICF, 最大工作压力为 28 bar g / 406 psi g。如果制冷系统包含 ICFD 20 模块, 则系统的测试压力不得超过 28 bar g / 406 psi g, 除非测试之前将 ICFD 浮球暂时取出。参见图 11。

ICFD 20C (CO₂):

对于带 ICFD 20C 模块的 ICF, 工作压力为 52 bar g / 754 psi g。如果制冷系统包含 ICFD 20C 模块, 则系统的测试压力不得超过 52 bar g / 754 psi g, 除非测试之前将 ICFD 20C 浮球暂时取出。参见图 11。

应用 ICF 阀可用于吸气、液体、热气和湿回气管路。ICF 拥有 4 或 6 个功能模块。根据采用的功能模块, ICF 阀可以通过模拟或开关功能来调节介质流量。

调节范围取决于阀门型号和安装的模块组合。

安装(图 1)

ICF 必须按照图 1 安装。ICF 组合阀必须根据流向箭头指示进行安装。

ICM 和 ICFD 模块需要放置于水平位置。

ICF 交付时已装配完毕全部功能模块。模块可取出进行检修, 并可在安装时相对于阀体呈 90° 角朝四个方向旋转。请确保 ICFD 周围有足够的空间以便于进行安装。

带阀杆的 ICF 可用于手动开启电磁阀。

ICF 可承受很高的内部压力。尽管如此, 管路系统的设计也必须避免有存液弯, 防止系统出现因热膨胀导致的过高压力而损坏管路。

管路的设计应考虑对系统中出现瞬时“液击”现象的有效防护

焊接(图 2 和图 3)

ICF 组合阀可以使用 TIG/MIIG/SMAW 方式进行焊接(图 2)或气焊方式(图 3)在安装阀门之前, 阀门进口和出口必须采用保护盖防止阀组件内部生锈。

TIG/MIIG/SMAW 焊接在 TIG/MIIG/SMAW 焊接前(图 2)无需拆卸任何功能模块, 在正常受热的情况下无需采用辅助制冷。必须采取预防措施尽量避免出现焊渣。为第一个模块上(MI1)配备截止阀并在最后一个模块(MI4 或 MI6)上配备截止阀、节流阀或截止阀/止回阀的 ICF 阀组件, 建议轻轻打开这些阀门(从关闭位置拧开约 1 圈), 从而使焊接热量对 Teflon 座的影响降至最低。

焊接完成后, 建议再关闭这些阀门, 以免泄漏, 这些阀门在系统准备运作之前应始终保持关闭状态。

所有其他阀门模块, 不管处于哪个模块位置, 都可以弥补正常焊接热量的影响, 无需特别注意。

气焊

在焊接前拆卸所有插件(图 3)。正常受热情况下无需辅助冷却。

必须采取预防措施尽量避免出现焊渣。

在焊接后, 清理阀门内部, 避免残留焊渣和杂质。

建议焊接完成后, 立即重新安装这些模块, 并关闭可手动操作的 MI1 和 MI4/MI6, 以便在系统准备运行前对阀门内部实施保护。

如果不是立即装配阀门, 则需在内部涂上一层防锈油。

安装后阀体外部不得有压力(外部负载)。ICF 出口侧直通大气时不得在系统中安装 ICF。ICF 出口侧必须始终与系统连接或正常脱盖, 例如与焊接端板。

表面保护与标识(不适用于 SS 型号)外表面采用铬酸锌处理, 能够达到符合 EN 12284: 2003 8.13 标准的防腐蚀效果。焊接端未镀锌。安装完成后, 必须用适当的优质漆料, 对外表面进行抗腐蚀保护。建议在重新喷漆时遮挡铭牌。

通过 4 个或 6 个功能模块上的铭牌可准确识别 ICF。

维护(图 4)



不要混淆碳钢部件与不锈钢部件。

维修

ICF 阀门组件非常易于检修。切勿在 ICF 阀门承压的情况下拆开阀门。

拆开并取出功能模块后:

- 检查功能模块和阀体之间的平垫圈和/或 O 型圈以及功能模块上 O 型圈是否受损。如果损坏, 请更换新的扁平垫片和 O 型圈。

O 型圈/垫片受损可能导致阀门无法按规格要求正常工作。

ICF 15 模块 MI1/MI2 和 ICF 25/ICF SS 25 所有模块上都配有扁平垫片。

这些橡胶垫片存在于这些地点:(见图 4a、4b)

ICF 15: 1 橡胶垫圈在每个模块 M3 / M4

ICF 20 / ICF SS 20: 1 橡胶垫片所有模块



CO₂ 应用

在 CO₂ 系统中使用时, O 形圈会膨胀(胀大)。

维修时, 建议先按实际数目更换用过的 O 型圈, 再将功能模块重新安装在 ICF 阀体上。

ICFD 除霜模块:

ICFD 20C CO₂ 除霜模块:

确保模块为 ICFD 20C 型

- 检查在活塞和缸体上是否有刮伤, 查看磨损标记。如果磨损严重, 应更换功能模块, 以防活塞环周围传递错误信号。
- 检查气缸和阀座能否自由运动, 摩擦力是否足够低。
- 如果特氟龙垫片受损, 则须更换功能模块。
- 对于 ICM 20 电动阀的模块, 需检查 PEEK 基座是否受损或是有擦伤。若受损或是有擦伤, 需更换 PEEK 基座。

装配阀门安装之前清理阀体内的所有异物。

- 检查 ICF 阀门内所有通道是否存在颗粒或杂质。

如有可能, 辅助添加润滑油以确保模块平滑插入并保护 O 型圈。

(Allen key 12 mm, torque 2 Nm (1.5 ft lb)).

紧固(图 5、6、7)

使用扭矩扳手拧紧顶盖, 并达到表中规定的数值(见图 5)。

中文

操作手动阀杆(图 6 至图 8)

ICF 15, ICF 20, ICF SS 20(图 6a 和 6b)
 -ICFS/ICFS SS - 截止阀模块
 -ICFR/ICFR SS - 手动调节阀模块
 -ICFN/ICFN SS - 截止阀/止回阀模块
 -ICFO/ICFO SS - 手动开启模块
 在ICFS/ICFS SS(截止阀模块)、ICFR/ICFR SS(手动调节阀模块)或ICFN/ICFN SS(截止阀/止回阀模块)重新封盖前, 请确保盖上垫片完好。然后用 16 Nm (12 ft lbs) 力度紧固阀帽。

ICF 25, ICF SS 25(见图 7a)
 -ICFS/ICFS SS - 截止阀模块
 -ICFR/ICFR SS - 手动调节阀模块
 -ICFN/ICFN SS - 截止阀/止回阀模块
 -ICFE/ICFE SS - 手动开启模块
 在ICFS/ICFS SS(截止阀模块)、ICFR/ICFR SS(手动调节阀模块)或ICFN/ICFN SS(截止阀/止回阀模块)重新封盖前, 请确保盖上垫片完好。然后用 24 Nm (548. 64 cm lbs) 的力度拧紧盖子。

填料函(ICFE/ICFE SS)(见图 7b):
 若填料函有泄露, 用扳手小心拧紧。请勿太用力。
 丹佛斯建议您逐步拧紧填料函。每次拧动都需检查是否仍有泄露。操作ICFE25/ICFE SS 25 电磁阀模块上的手动阀杆(见图 8a):
 要打开电磁阀, 用手动阀杆逆时针转动即可。(手动模式)
 要在自动模式下操作电磁阀, 顺时针旋转手动阀杆, 直到锁紧环停止转动。

至此请勿再强行搬动阀杆。如果锁紧环受损或被移除, 阀杆会开始泄露。不能使用手动阀杆强行关闭阀。

操作 ICFE 20H/ICFE SS 20H 电磁阀模块上的手动阀杆(见图 8b)
 拿掉 ICFE 20H/ICFE SS 20H 侧边的盖子。九点钟方位的手动开启装置处于禁用状态(未启用)。

要用力打开 ICFE 20H/ICFE SS 20H 电磁阀, 使用 5mm 内六角改锥顺时针转动至三点钟位置。

ICFD 除霜模块

运输保护

移除运输保护装置(位置1, 图 10)。插入排液口塞子 + 铝垫片连接至阀门(位置2, 图 10)并用所示扭矩拧紧。

最大测试压力

如果系统测试压力需要超过:

ICFD 20 (氨): 28 bar g / 406 psi g

ICFD 20C (CO₂): 52 bar g / 754 psi g

需要准备 ICFD 模块(如图 11 所示):

1. 松开 6 个法兰螺栓并取下浮球阀体
- 2+3. 使用 A / F 4mm 将杆件与浮动组件一起拧下并拆下
注意 - 杆件的浮动端不得旋松, 不要使用浮子进行旋松
4. 重新装好浮球阀体并用图 10 所示的扭矩拧紧 6 个法兰螺栓

5. 在系统压力高于下列压力的情况下进行测试:

ICFD 20 (氨): 28 bar g / 406

psi g

ICFD 20C (CO₂): 52 bar g / 754

psi g

6. 使用 A / F 4mm 将杆件与浮子组件一起重新安装, 请勿使用浮子进行紧固。

7. 重新装好浮球阀体并用图 10 所示的扭矩拧紧 6 个法兰螺栓

建议在这样的重复拆装之后用新的垫片替换受压的原有浮球阀体垫片。

操作 ICFD 除霜模块的手动阀杆(见图 12)

取下 ICFD 一侧的阀帽(位置A, 图 10)

9 点钟位置状态下, 手动开启装置被禁用(A = 自动模式)。

要强制打开 ICFD, 应使用 5 mm 内六角扳手, 并按照顺时针方向转动至约

2 点钟位置直到达到机械停止。(M = 手动开启模式)。

始终将手动开启转到自动模式以进行正常操作。

重新装好图 10 中的阀帽 A, 并用 80 Nm (59 ft lbs) 扭矩拧紧 如果需要进一步开启帽, 建议更换铝箔垫圈。

模块位置(图9a、9b、9c)

四模块 ICF

功能模块类型	可以在这些位置安装				
ICFS/ICFS SS	截止阀模块	M1 *)	M2	M3	M4
ICFR/ICFR SS	手动调节阀模块	M1	M2	M3	M4
ICFF/ICFF SS	过滤器模块		M2 *)		M4
ICFE/ICFE SS	电磁阀模块			M3	
ICFC/ICFC SS	止回阀模块				M4
ICFN / ICFN SS	截止阀/止回阀模块				M4
ICM/ICM SS	电动阀模块	M1		M3	
ICFB/ICFB SS	封口顶盖	M1	M2	M3	M4
ICFA/ICFA SS	电子膨胀阀模块(不可用于 ICF 25)	M1		M3	
ICFE 20H/ICFE SS 20H	电磁阀模块(不可用于 ICF 25)	M1		M3	
ICFO/ICFO SS	手动开启模块(不可用于 ICF 25)				M4
ICFW/ICFW SS	焊接模块	M1	M2	M3	M4
ICFD	除霜模块		M2		M4

六模块 ICF

功能模块类型	可以在这些位置安装						
ICFS/ICFS SS	截止阀模块	M1	M2	M3	M4	M5	M6
ICFR/ICFR SS	手动调节阀模块	M1	M2	M3	M4	M5	M6
ICFF/ICFF SS	过滤器模块		M2		M4		M6
ICFE/ICFE SS	电磁阀模块			M3			
ICFC/ICFC SS	止回阀模块				M4		M6
ICFN / ICFN SS	截止阀/止回阀模块				M4		M6
ICM/ICM SS	电动阀模块	M1		M3		M5	
ICFB/ICFB SS	封口顶盖	M1	M2	M3	M4	M5	M6
ICFA/ICFA SS	电子膨胀阀模块(不可用于 ICF 25)	M1		M3		M5	
ICFE 20H/ICFE SS 20H	电磁阀模块(不可用于 ICF 25)	M1		M3		M5	
ICFO/ICFO SS	手动开启模块(不可用于 ICF 25)				M4		
ICFW/ICFW SS	焊接模块	M1	M2	M3	M4	M5	M6
ICFD	除霜模块		M2		M4		M6

模块位置显示为 MI1、MI2、MI3、MI4、MI5 和 MI6。由于制冷剂流动，MI1 距离进口最近。

不可用的位置

*已固定 ICF 15 - MI1 和 MI2 模块(分别为止回阀和过滤器)

只可使用丹佛斯原厂元件，包括用于更换的 O 型圈和垫片。
新部件的材料应经证明适合相关制冷剂。
如有疑问，请与丹佛斯联系。