

**Order line: 10****Specification of: PFP A3-0560-3F MK19 -- S80574BQE****Direct driven high-performance centrifugal fan PFP**

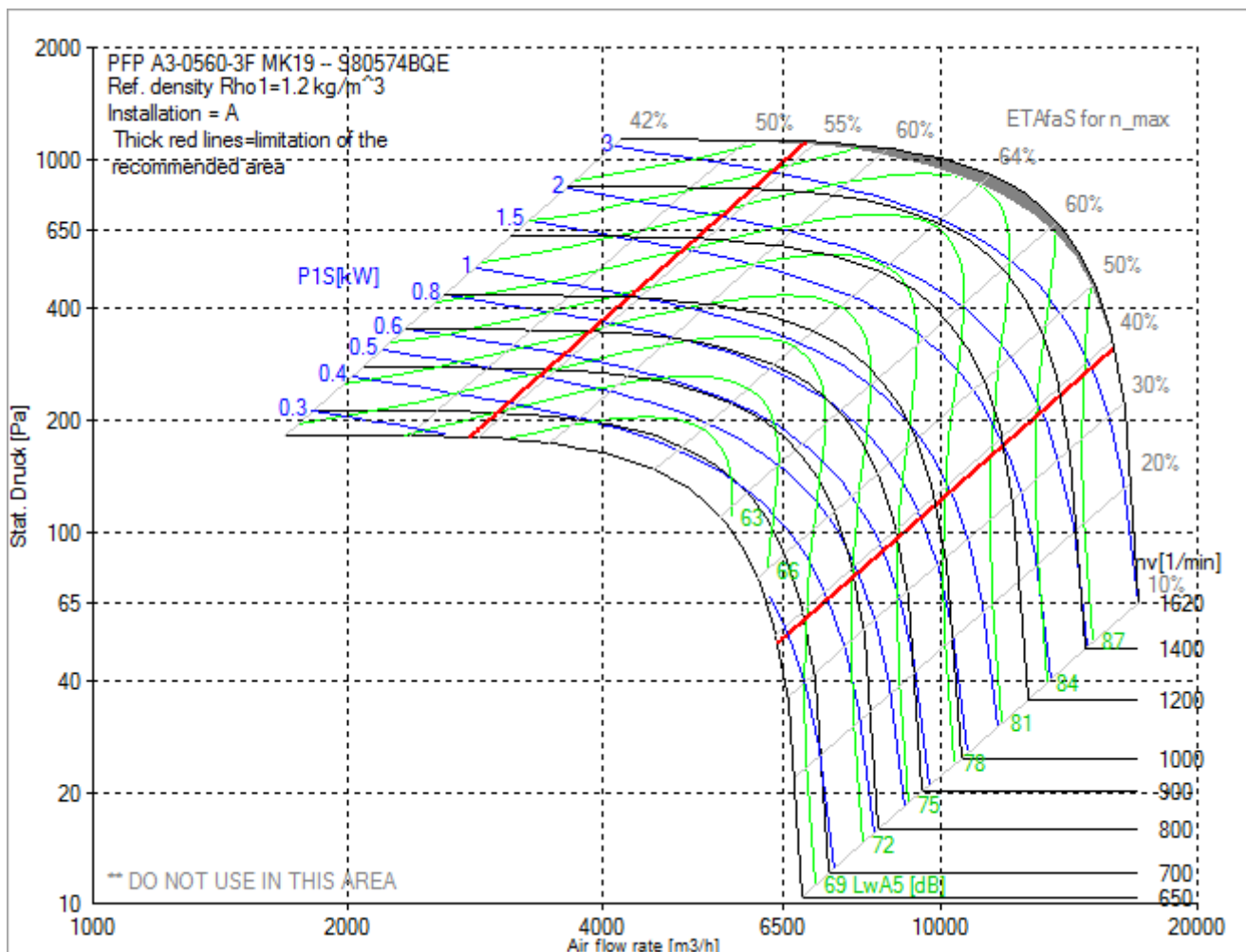
Complete plug fan module with high system efficiency, provided with front panel and supporting frame, suitable for horizontal or vertical installation, specifically developed and optimized for use without a scroll case. Equipped with flow measuring device IMV as a standard feature. Aluminium-made centrifugal impeller with 7 backward inclined welded blades. The wheel is directly fitted to a brushless external-rotor motor, with no transmission losses. The complete unit is dynamically balanced according to DIN ISO 21940-11. Light-weight motor frame cast from corrosion-resistant aluminium. A three-phase sensorless driver is fully integrated into the motor. Continuous speed variation control Drive System by 0 ... 10 V analogue signal, or with Modbus RS485 compliant interface. All the drive system is protected according to class IP 54. Power supply 400 V – 50/60 Hz. Air performance ratings according to AMCA 210-07 (Fig. 12) and ISO 5801:2007 (Fig. 41 and par. 30.3).

## Technical data of the fan: PFP A3-0560-3F MK19 -- S80574BQE

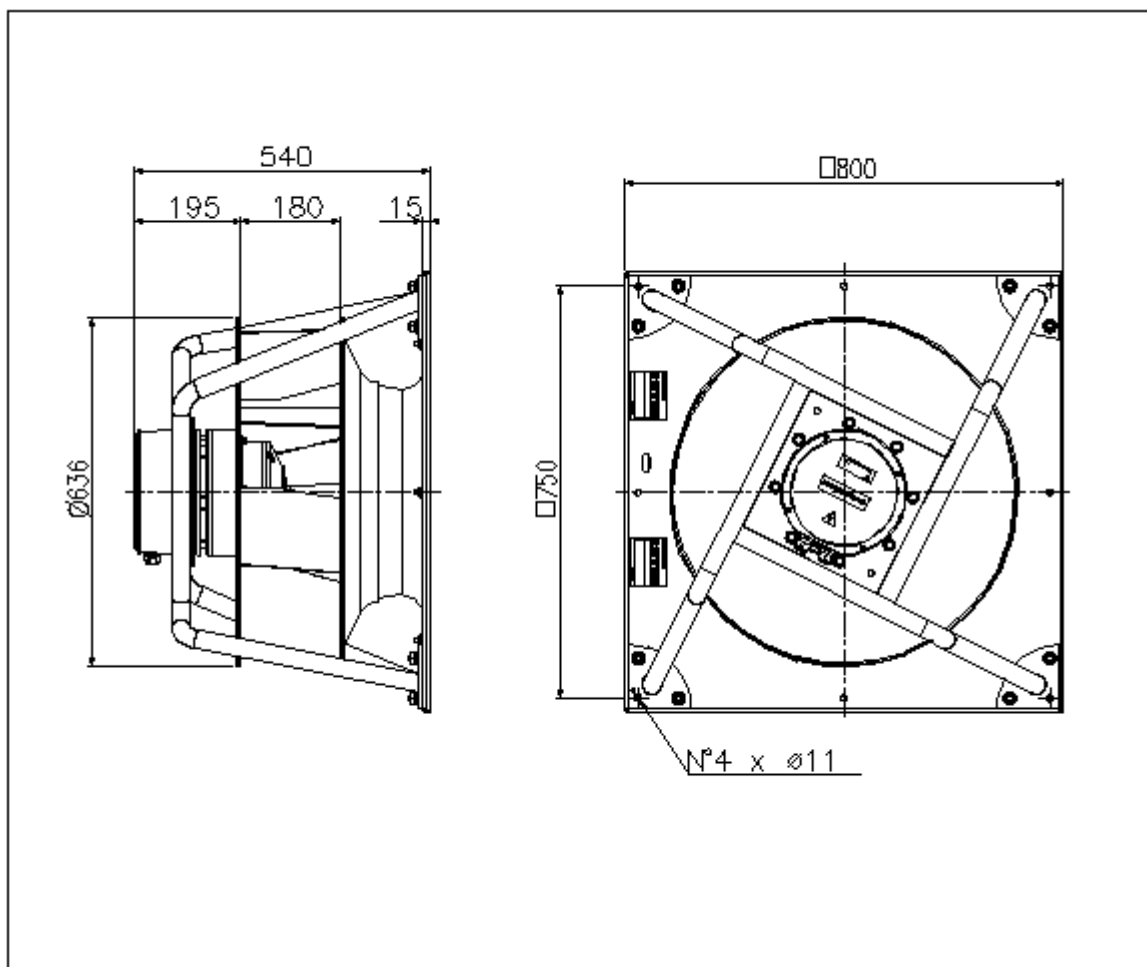
fulfills the ErP requirements 2015

Description	Value	Dimension
Installation acc. DIN 24163 Part 1		A
Reference density (Rho1)	1.20	kg/m <sup>3</sup>
Medium temperature (t)	20	C
Fan weight	52	kg
<b>Feed data</b>		
Main's frequency (f <sub>N</sub> )	50/60	Hz
Voltage (U <sub>N</sub> )	3~ 400	V
Phases-Voltage-Frequency	3~400-50	V-Hz
Power (P <sub>N</sub> )	0	kW
<b>operational limits</b>		
Max. fan speed (n <sub>vmax</sub> )	1620	min <sup>-1</sup>
Max. absorbed power of the system (P <sub>maxS</sub> )	4.10	kW
max. current: Inverter out resp. control unit in (I <sub>max</sub> )	6.3	A
Temperature range for conveying medium (t <sub>min</sub> ... t <sub>max</sub> )	-20...40	C
<b>ErP-Data at best efficiency and density - kg/m<sup>3</sup></b>		
measurement- / efficiency category		A / static
design status of VSD		VSD is integrated
overall efficiency (ETA <sub>opt</sub> )	66.6	%
achieved efficiency grade (N <sub>ist</sub> )	70.6	
required efficiency grade in 2013 / 2015 (N)	58 / 62	
Air flow rate (V <sub>opt</sub> )	11115	m <sup>3</sup> /h
pressure rise (dp <sub>opt</sub> )	856	Pa
Fan speed (n <sub>vopt</sub> )	1572	min <sup>-1</sup>
motor power input (P <sub>1opt</sub> )	3.96	kW
specific ratio (d <sub>dppopt</sub> )	1.008	

Fan curve to PFP A3-0560-3F MK19 -- S80574BQE



Dimensions to PFP A3-0560-3F MK19 -- S80574BQE



Rotation: RD  
Handing: 90